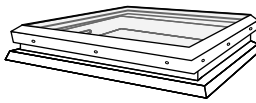
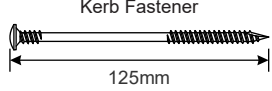





# Flat Glass

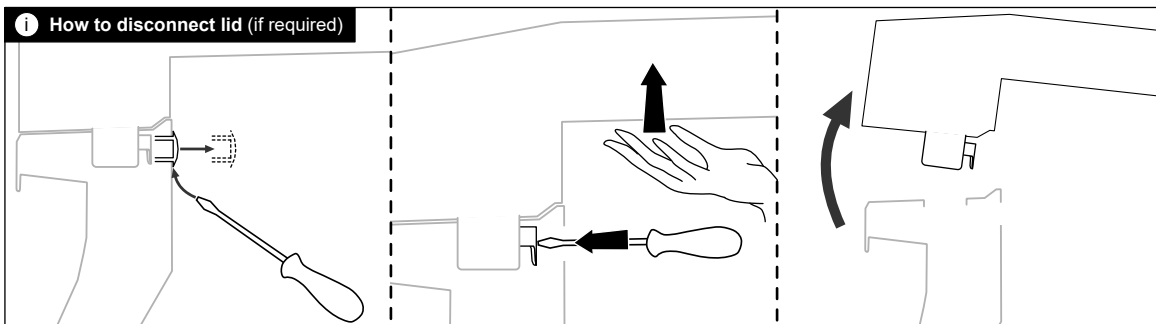
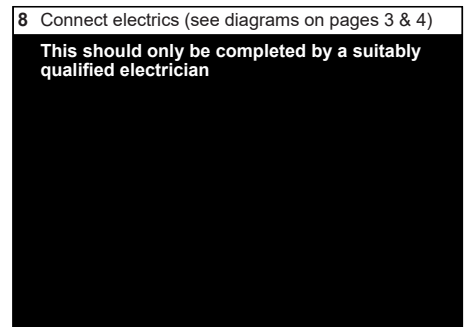
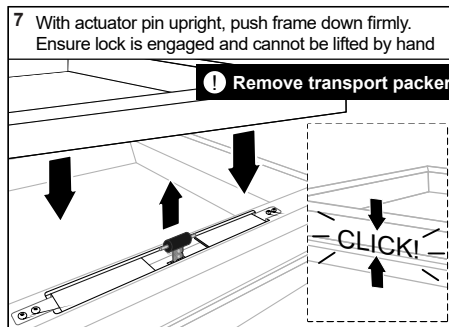
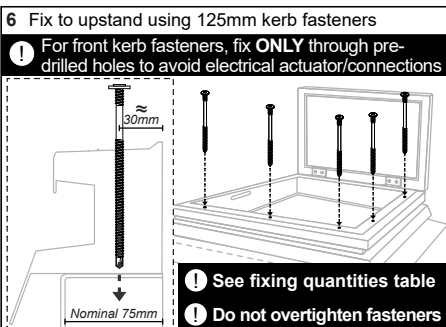
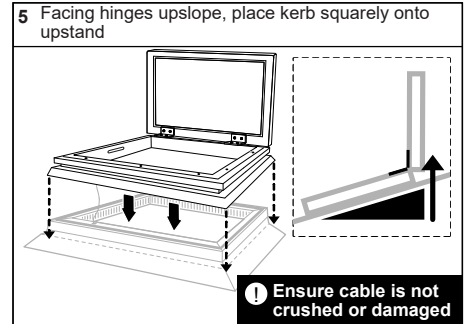
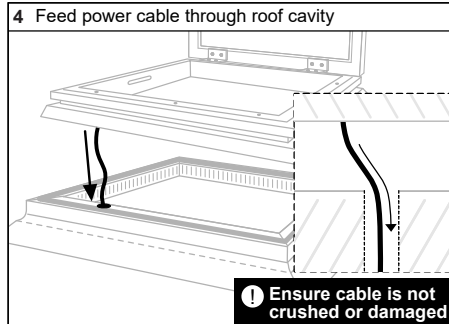
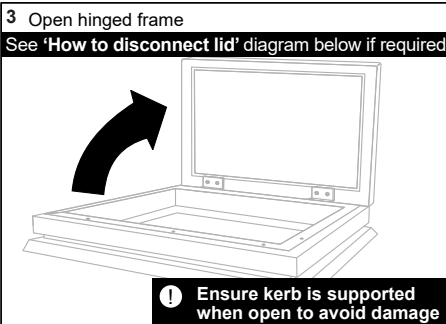
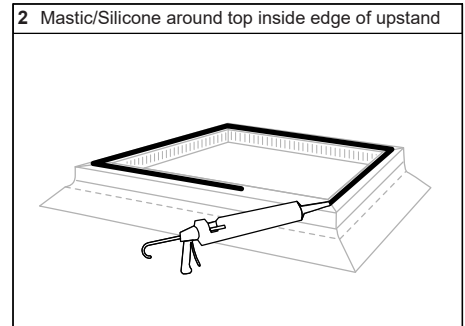
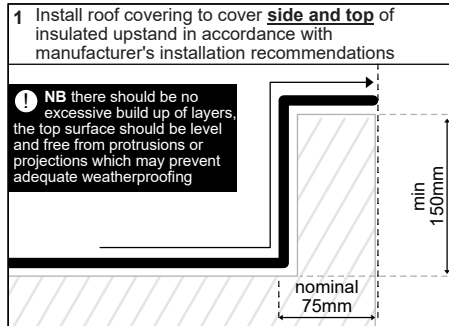
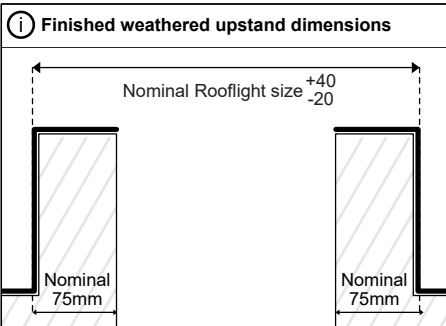
# TB401

## Powered Opening Flat Glass Rooflight on builders upstand

<b>Contents</b> <b>!</b> Take care when unpacking <b>!</b> Check all correct parts are included and undamaged <b>!</b> Only use fixings supplied		<b>Fixing Quantities</b> <table border="1"> <thead> <tr> <th>Length of Nominal Unit Side (mm)</th> <th>Number of fixings per side</th> </tr> </thead> <tbody> <tr> <td>750 and under</td> <td>2</td> </tr> <tr> <td>751 to 1200</td> <td>3</td> </tr> <tr> <td>1201 to 1650</td> <td>4</td> </tr> <tr> <td>1651 to 1950</td> <td>5</td> </tr> <tr> <td>1951 to 2250</td> <td>6</td> </tr> <tr> <td>2251 to 3000</td> <td>7</td> </tr> </tbody> </table>	Length of Nominal Unit Side (mm)	Number of fixings per side	750 and under	2	751 to 1200	3	1201 to 1650	4	1651 to 1950	5	1951 to 2250	6	2251 to 3000	7
Length of Nominal Unit Side (mm)	Number of fixings per side															
750 and under	2															
751 to 1200	3															
1201 to 1650	4															
1651 to 1950	5															
1951 to 2250	6															
2251 to 3000	7															
 <p>Flat Glass Rooflight</p>	 <p>Kerb Fastener 125mm</p>	 <p>Wall Switch (PCD only) Switch (centre sprung)</p>  <p>Remote Control (PCR only) Remote Control with holder</p>  <p>Remote Control &amp; Rain Sensor (PCS only) Remote Control with holder Rain Sensor</p>														

**!** All Health & Safety Regulations must be followed on site throughout the installation process

**!** **WARNING!** Flat glass units are heavy. Some units may require a mechanical lift.



**!** **TECHNICAL SUPPORT:** For any technical information/queries please contact your supplier. The manufacturer operates a policy of continuous product improvement, and reserves the right to alter specifications at any time without notice. Every effort has been taken to ensure all details contained in this document are correct at the time of going to press but this document should be used only as a guide and does not in any way form part of a contract or warranty. It is the customer's responsibility to ensure that the product is suitable for the actual conditions of use, which are beyond the control of the manufacturer.

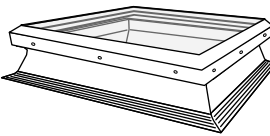
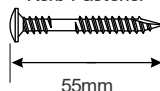



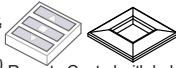

**SCAN FOR  
INSTALLATION  
VIDEO**



# Flat Glass

# TB401

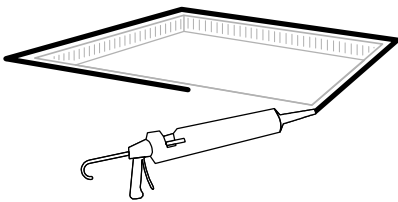
## Powered Opening Flat Glass Rooflight on PVC kerb

Contents		⚠ Take care when unpacking	Check all correct parts are included and undamaged	Only use fixings supplied	Fixing Quantities	
 <p>Flat glass rooflight on kerb</p>	 <p>Kerb Fastener 55mm</p>	<b>Wall Switch (PCD only)</b>	 <p>Switch (centre sprung)</p>	 <p>Remote Control with holder</p>	Length of Nominal Unit Side (mm)	Number of fixings per side
		<b>Remote Control (PCR only)</b>	 <p>Remote Control with holder</p>		750 and under	2
		<b>Remote Control &amp; Rain Sensor (PCS only)</b>	 <p>Remote Control with holder</p>	 <p>Rain Sensor</p>	751 to 1200	3
					1201 to 1650	4
					1651 to 1950	5
					1951 to 2250	6
					2251 to 3000	7

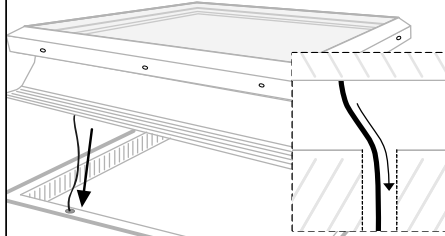
⚠ All Health & Safety Regulations must be followed on site throughout the installation process

**⚠ WARNING! Flat glass units are heavy. Some units may require a mechanical lift.**

**1 Mastic/Silicone around the edge of the roof opening**

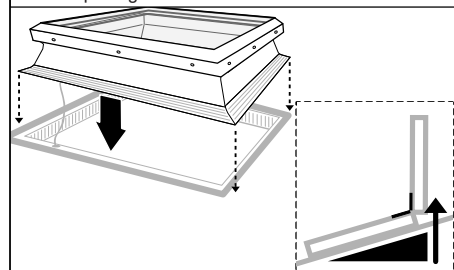


**2 Feed power cable through roof cavity**

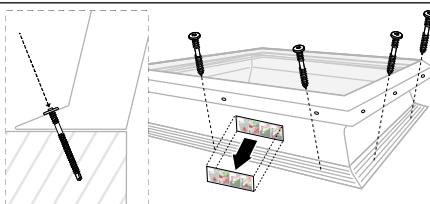


⚠ Ensure cable is not crushed or damaged

**3 Facing hinges upslope, place kerb squarely over roof opening**



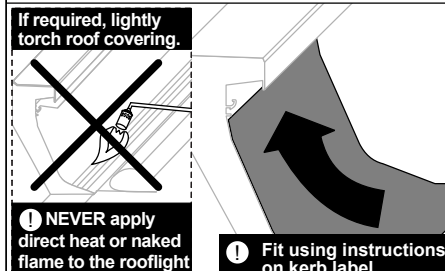
**4 Fix kerb to roof using 55mm kerb fasteners**  
**Remove and retain label**



⚠ See fixing quantities table  
⚠ Do not overtighten fasteners

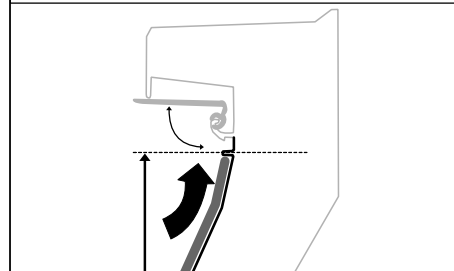
**5 Install roof covering according to manufacturer's installation recommendations**

If required, lightly torch roof covering.



⚠ NEVER apply direct heat or naked flame to the rooflight  
⚠ Fit using instructions on kerb label

**6 Terminate roof covering in accordance with instructions on retained kerb label**



**7 Connect electrics (see diagrams on pages 3 & 4)**

**This should only be completed by a suitably qualified electrician**

ⓘ **TECHNICAL SUPPORT:** For any technical information/queries please contact your supplier. The manufacturer operates a policy of continuous product improvement, and reserves the right to alter specifications at any time without notice. Every effort has been taken to ensure all details contained in this document are correct at the time of going to press but this document should be used only as a guide and does not in any way form part of a contract or warranty. It is the customer's responsibility to ensure that the product is suitable for the actual conditions of use, which are beyond the control of the manufacturer.



# Flat Glass

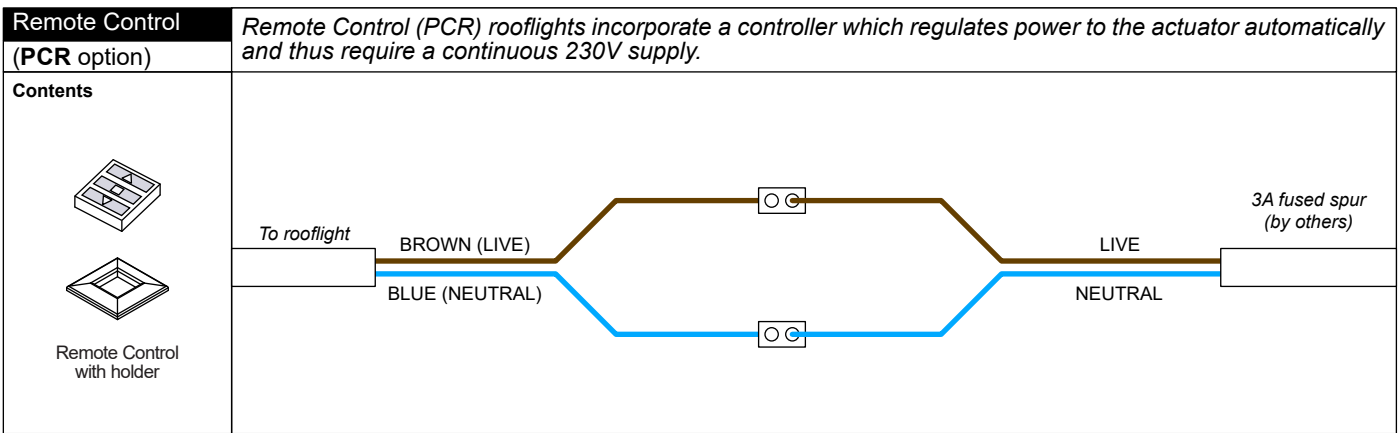
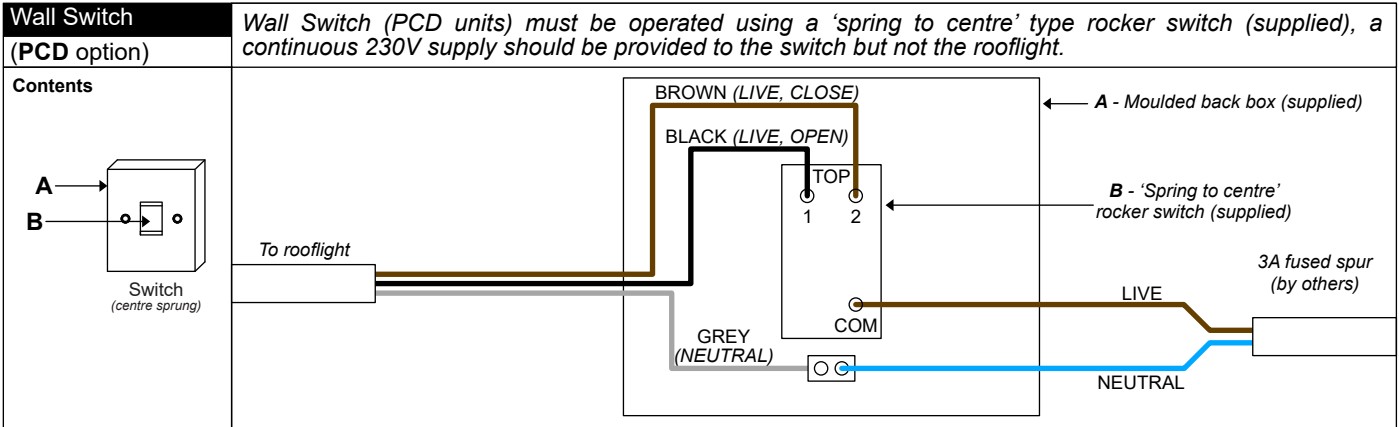
# TB401

Powered Opening Rooflight  
Electrical Connections  
Wall Switch / Remote Control

**Connect electrics**

**ⓘ Please note that all wiring and commissioning must be undertaken by a suitably trained and qualified person. The installer must ensure that all wiring runs, cable thickness and earthing etc. meet current regulations.**

*230V (AC) actuators must not be operated by supplying continuous power to the actuator; this will damage the actuator over time and void any warranty.*



ⓘ **TECHNICAL SUPPORT:** For any technical information/queries please contact your supplier.

The manufacturer operates a policy of continuous product improvement, and reserves the right to alter specifications at any time without notice. Every effort has been taken to ensure all details contained in this document are correct at the time of going to press but this document should be used only as a guide and does not in any way form part of a contract or warranty. It is the customer's responsibility to ensure that the product is suitable for the actual conditions of use, which are beyond the control of the manufacturer.

# Flat Glass

# TB401

Powered Opening Rooflight  
Electrical Connections  
Remote Control with Rain Sensor

**Remote Control with Rain Sensor (PCS option)**

Remote Control with Rain Sensor (PCS) rooflights incorporate a controller which regulates power to the actuator automatically and thus require a continuous 230V supply. The rain sensor that comes with PCS units requires a continuous 230V supply and **communicates with the rooflight wirelessly (DO NOT WIRE TO ROOFLIGHT).**

**Contents**



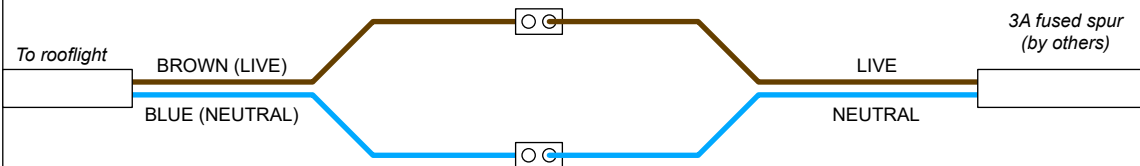
Rain Sensor



Remote Control with holder

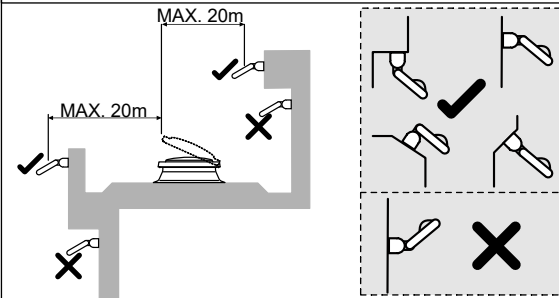
## ROOFLIGHT

**Rooflight** (do not wire rain sensor to rooflight)

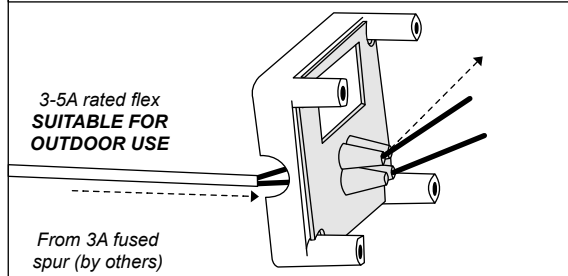


## RAIN SENSOR

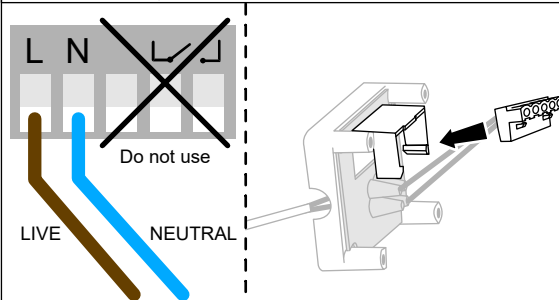
**1 - Rain Sensor** Identify suitable location for rain sensor. **Must be positioned somewhere it will be hit by rain**



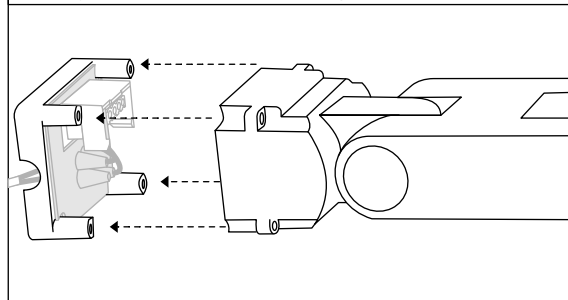
**2** Thread 2 core electrical supply cable (**3-5A rated flex**) through the access point on the mounting plate and the grey grommet from the rear. Fit mounting plate to wall/surface.



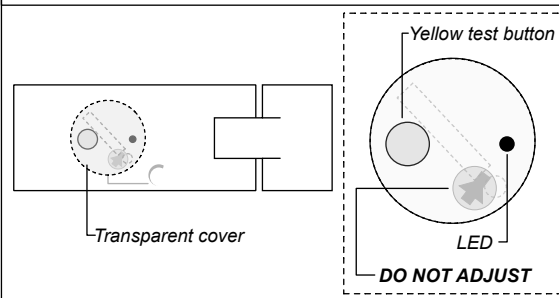
**3** Wire into green terminal. Once wired, connect green terminal strip into mounting plate.



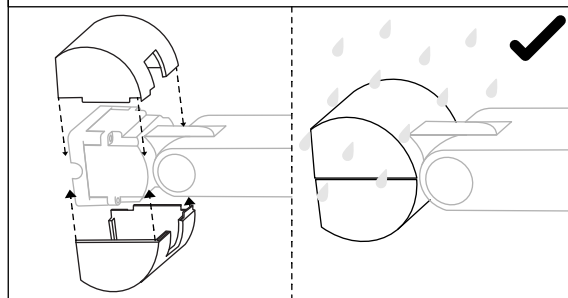
**4** Connect sensor to mounting plate, making sure pins are aligned correctly. Fasten rain sensor to mounting plate.



**5** Check green LED lights up when power is turned on. If not, remove transparent cover and press yellow test button, LED should flash amber.



**6** Clip waterproof cowl over the top and ensure all electrics are properly sealed and weatherproofed.



① **TECHNICAL SUPPORT:** For any technical information/queries please contact your supplier.

The manufacturer operates a policy of continuous product improvement, and reserves the right to alter specifications at any time without notice. Every effort has been taken to ensure all details contained in this document are correct at the time of going to press but this document should be used only as a guide and does not in any way form part of a contract or warranty. It is the customer's responsibility to ensure that the product is suitable for the actual conditions of use, which are beyond the control of the manufacturer.