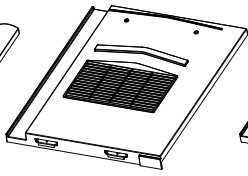


Double Roman
Code: GTV-DR

For use with:

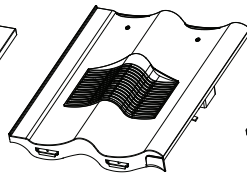
Marley Double Roman
Redland Double Roman
Sandtoft Double Roman
Russell Double Roman
Lagan Double Roll



Non-Profile
Code: GTV-NP

For use with:

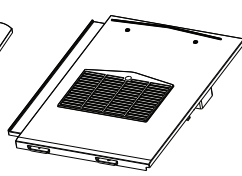
Marley Modern
Redland Mini Stonewold
Sandtoft Caderdale*
Russell Grampian
Lagan Flat



Double Pantile
Code: GTV-DP

For use with:

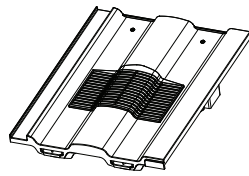
Marley Mendip
Redland Grovebury
Sandtoft Double Pantile
Russell Pennine



Thin Leading Edge
Code: GTV-TE

For use with:

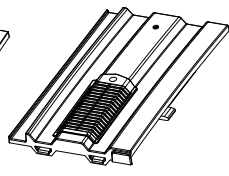
Marley Edgemere
Redland Richmond
Sandtoft TLE
Russell Galloway
Lagan Elite



Castellated
Code: GTV-CS

For use with:

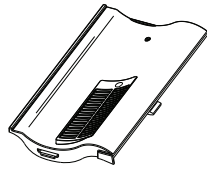
Marley Ludlow Major
Redland Renown
Sandtoft Lindum
Russell Cheviot
Lagan Square Top



Mini Castellated
Code: GTV-MC

For use with:

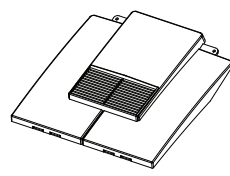
Marley Ludlow Plus
Redland 49
Sandtoft Standard attern
Forticrete V2



Single Pantile
Code: GTV-SP

For use with:

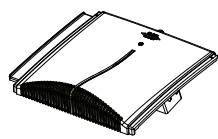
Marley Anglia
Redland Fenland
Sandtoft Shire



Plain Tile
Code: GTV-PT

For use with:

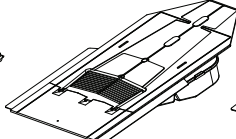
Concrete and traditional
clay plain tiles.
Granulated finish vents
are also available.



**Interlocking
Plain Tile**
Code: GTV-IP

For use with:

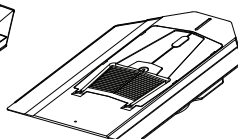
Marley Ashmore
Redland DuoPlain
Forticrete Gemini



Slate Vent (In-Line)
Code: GILSV30-25

For use with:

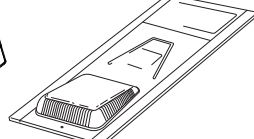
Man-made and
natural slates.
600 x 300mm
in size.



Slate Vent (In-Line)
Code: GILSV25-20

For use with:

Man-made and
natural slates.
400 x 200mm up to
500 x 250mm.



Slate Vent (Hooded)
Code: GRSV30-25
or GRSV45

For use with:

Man-made and
natural slates
of various sizes.

*Non-Profile vent will suit the original Calderdale tile, for the Calderdale Edge tile use the Flat Edge tile vent.

Manthorpe Building Products Limited

Manthorpe House, Brittain Drive, Codnor Gate Business Park, Ripley, Derbyshire DE5 3ND
T: (01773) 303 000 F: (01773) 303 300 E: mbp.care@manthorpebp.co.uk
W: www.manthorpebp.co.uk



Manthorpe

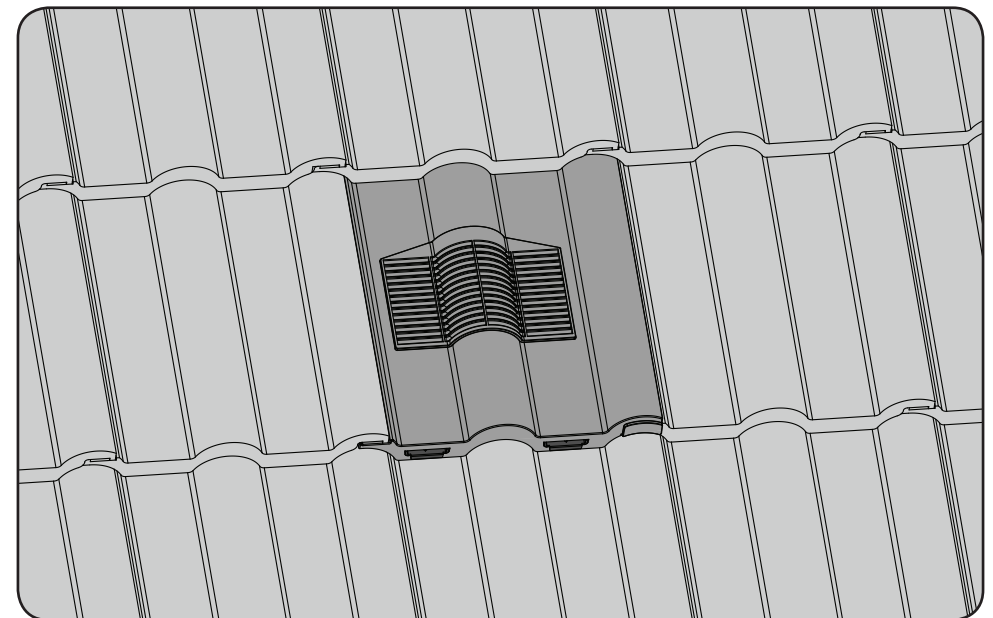
Tile Ventilator Range

Fitting Instructions

Double Roman, Non-Profile, Double Pantile,
Castellated, Thin Leading Edge and
Flat Edge Tile Ventilators

Double Roman Vent Illustrated

MBP0875G



Tile Ventilator Installation Requirements:

- **Minimum Roof Pitch:** 20° DO NOT INSTALL BELOW THIS PITCH
- **Maximum Headlap:** 100 mm
- **Product Airflow:** 10,000 mm² REDUCED TO 8,800 mm² THROUGH GTV-AD

The tile vent should not be used to extract hot exhaust gases, nor be placed close to other potentially hot elements of the roof structure.

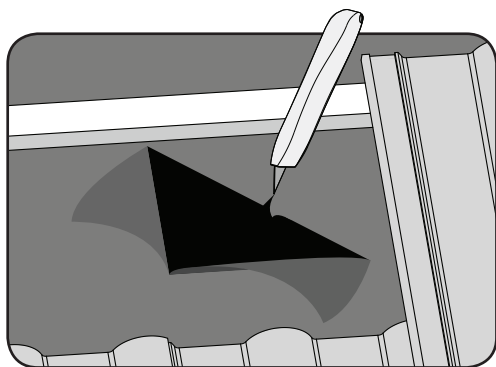
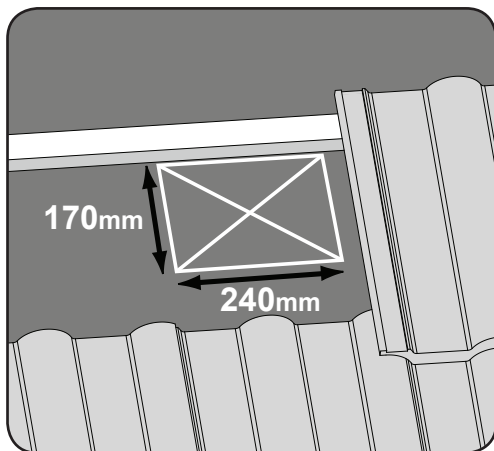
When ventilating at high level, the vent should not be placed on the course directly below the ridge tile.

For mechanical extraction, use the Manthorpe **GTV-AD Flexi Pipe Adaptor** and one of the **GRPA Flexible Pipe Range** in conjunction with the vent.

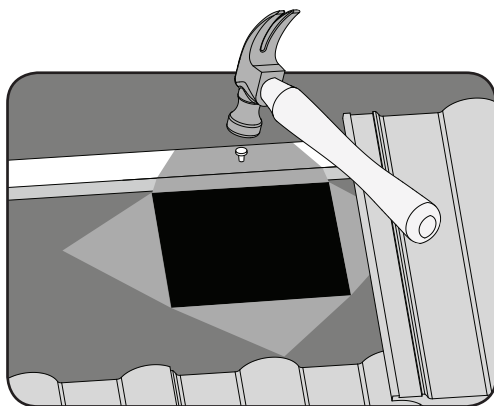
Installation

1. Prepare the roof tiles in the conventional manner up to the point at which you require the tile ventilator to be positioned.

2. Directly below the batten that the vent is to be placed on, mark out a rectangle 170mm x 240mm wide on the underlay in line with the centre of the tile below. Also mark an X in the centre of this rectangle from corner to corner.



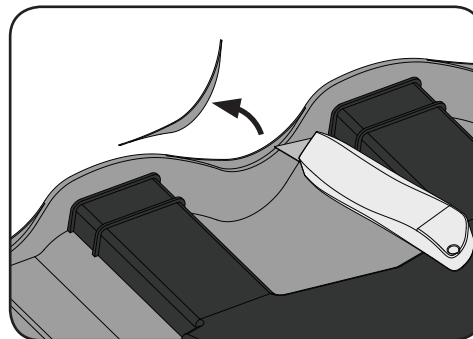
3. Cut the underlay along the diagonal X lines and fold back the triangular tabs to reveal the spigot opening.



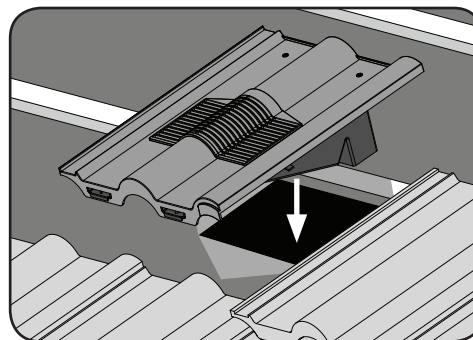
4. Fold the top tab tight up against the batten above it and secure it in position with a staple or tack.

If you are fitting **Marley Mendip** or **Redland Grovebury Interlocking Double Pantiles**, proceed to step 4a. If you are fitting **Redland Renowns**, proceed to step 4b. For all other styles within the range proceed to step 5.

Installing Mendip & Grovebury

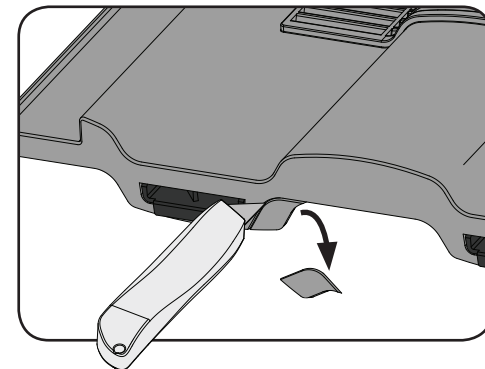


4a. When installing the Double Pantile profile tile ventilator onto Marley Mendip or Redland Grovebury tiles, remove the blanking profile tabs visible on the inside of the front face. These areas allow the vent to sit flush onto other double pantile profiles but can be easily trimmed away with a knife to allow the vent to conform to the Mendip/Grovebury profile.

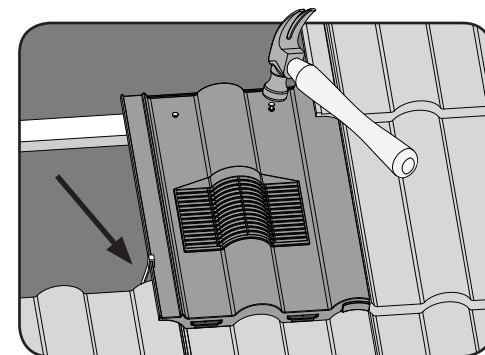


5. Insert the vent into the correct position. Make sure the spigot passes fully through the felt so it is accessible from the loftspace. Ensure the tile sits over the interlock of the adjacent tile, with the uplift tab positioned below it.

Installing Redland Renowns



4b. When installing the Castellated profile tile ventilator on Redland Renown tiles, the two marked tabs on the front face of the vent should be removed by trimming down the marked channels with a knife allowing the tabs to be snapped off the main body. The removal of these tabs will allow the front face to locate within the profile of the Renown tile.



6. Nail the vent down into position by perforating the skins over the pre-formed holes. Clip the vent in place using the tile manufacturers specified clips for the relevant profile. Once fixed, continue tiling in the normal manner.

NOTE: To comply with the BRE Report 262, it is recommended that the GRPA pipes and other ducting should be fully insulated along its total length in the roof space to avoid the risk of internal condensation.