



**ClassicBond PRO Reinforced EPDM
Flat Roofing System Installation Guide**

Contents

1. Introduction.....	3
2. Installers Preparations	4
3. Substrate Considerations	5
4. Installations	8
5. Pressure Sensitive Tapes	13
6. Pipe Seals	21
7. Internal Drain.....	23
8. EPDM to Bitumen Felt Join.....	27
9. Edge Terminations	29
10. Inspections	37
11. Repairs.....	40
12. Details	40

1. Introduction

This guide is designed to assist the contractor when working with ClassicBond PRO Fleece Reinforced EPDM. The information contained within this guide is intended to provide a basis for planning material application and installing ClassicBond PRO Fleece Reinforced membranes.

This guide is not a replacement for ClassicBond PRO Fleece Reinforced EPDM in-house training.

Contractors are responsible for ensuring that they are in possession of up-to-date technical information. Applicable regulations should be complied with at all times.

The installation details have been carefully collated based on current knowledge and we cannot accept responsibility for any omissions. For further detailing information and application advice on individual projects, please consult with our Technical Department.

The information in this publication is based on our experience and test results and is correct to the best of our knowledge and belief, at the time of printing. No claims for compensation may be derived from it. We reserve the right to make changes in accordance with our policy of constantly seeking technical advancement and ever-higher standards of quality.

Flex-R, Sandwood House, Hillbottom Road, High Wycombe, Bucks HP13 5HG. Telephone 01494 448792. Email enq@flex-r.co.uk.

2. Installers Preparations

2.1. General membrane installation tools

Utility knife. Hook and straight blades

Scissors

Brooms. Soft & stiff

Squeegee

225mm medium pile roller on pole (Deck Adhesives)

Squeegee

25-50mm brushes for ClassicBond primer

50-75mm brushes/ 100mm Roller (Contact Adhesive)

Gloves

Steel Hand Roller

Stirrers for contact adhesive and for ClassicBond primer.

2.2. ClassicBond PRO Material Precautions

- Ensure storage area for ClassicBond PRO materials is cool, dry, and well ventilated. Do not expose to freezing conditions. Range 5°C-25°C
- Protect all materials from sources of heat, flame or sparks in storage and use.
- Stir ClassicBond primer and Bonding Adhesive to agitate any sediment before and during use.
- Suitably ventilate confined areas to ensure safe working conditions.

2.3. Weather Precautions

- Stop work and protect unfinished areas in wet conditions.
- WBA may only be used when temperatures remain above 5°C for 24hrs.
- PU deck adhesive may be used where temperatures may fall below 5°C.
- PS tape must be warmed to a minimum of 37 °C (body temperature) prior to use.
- Primed area must be warmed when installing PS tapes below 5°C.
- Colder conditions increase cure time of adhesives and ClassicBond primer. Allow extra time.
- Adhesives and ClassicBond primer should only be applied to dry surfaces.

3. Substrate Considerations

3.1. Considerations table.

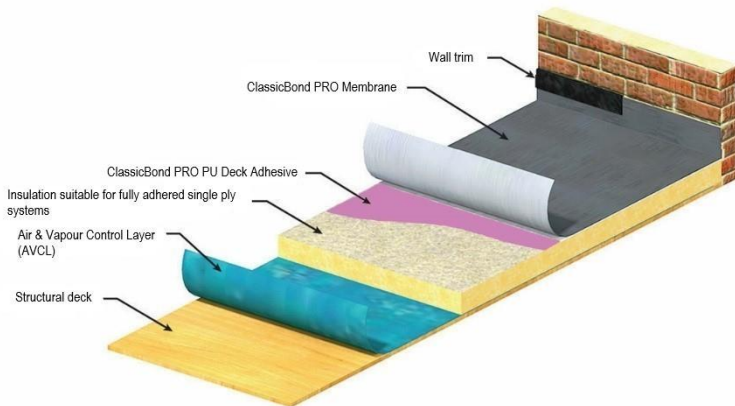
To ensure a quality finished roofing system, some basic steps must be taken to give a smooth, even finished surface.

Conditions	Description
Surface condition	Surface to be free of sharp edges, all fixings level with surface.
Standing water	Ponding does not affect the lifespan of the system; however, it is good practice where possible to alter the substrate to create a positive slope prior to laying the ClassicBond PRO material. Some details require that water does not pond.
Moisture	If the area to be bonded has been open to weather conditions, water, frost, ice, or snow must be cleared from the relevant surface and the substrate allowed to dry completely. Moisture trapped within the substrate may lead to de-bonding of the membrane.
Preparation	All areas (deck and upstand) to be adhered must be clean and free of contamination including dirt, stones, and dust. The use of adhesives on contaminated surfaces will reduce bond strengths between the ClassicBond PRO and substrate.
Substrate Voids	Less than 5mm are acceptable. Fill voids over 5mm with suitable material or over-deck.
Insulation	Ensure that the membrane is installed over a suitable Glass Tissue Faced insulation for fully adhered single ply membranes. Foil faced boards cannot be bonded to directly. WBA must not be used to bond directly to insulation. PU Deck or Bonding Adhesives must be used.
AVCL	If installing insulation to create a warm roof system, ensure a suitable AVCL (Air & Vapour Control Layer) is provided to prevent interstitial condensation occurring.

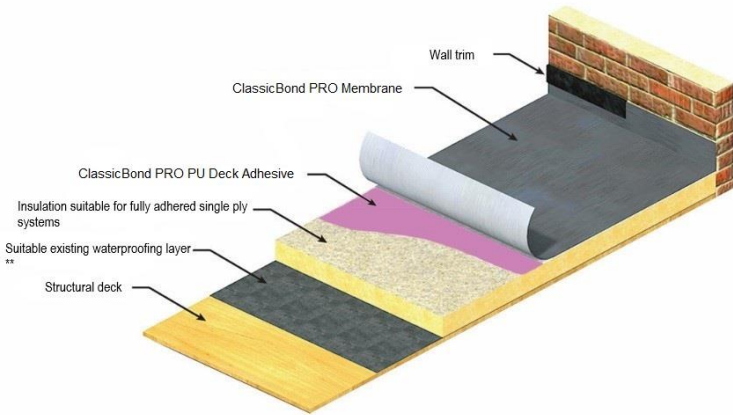
3.2. Roof Assemblies.

The following images are indicative of the required build-ups when installing the ClassicBond PRO Fleece Reinforced System.

- Warm Roof New assembly.
For information on suitable AVCL options contact the Flex-R Technical Department

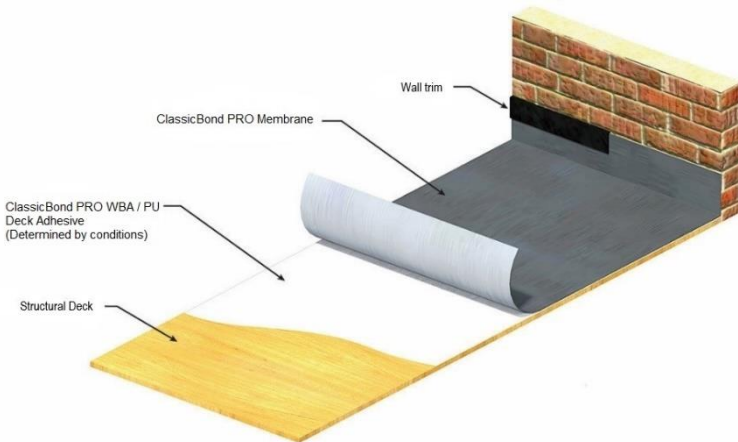


- Warm Roof Overlay assembly.
For information on suitability of existing substrates to create AVCL contact the Flex-R Technical Department.



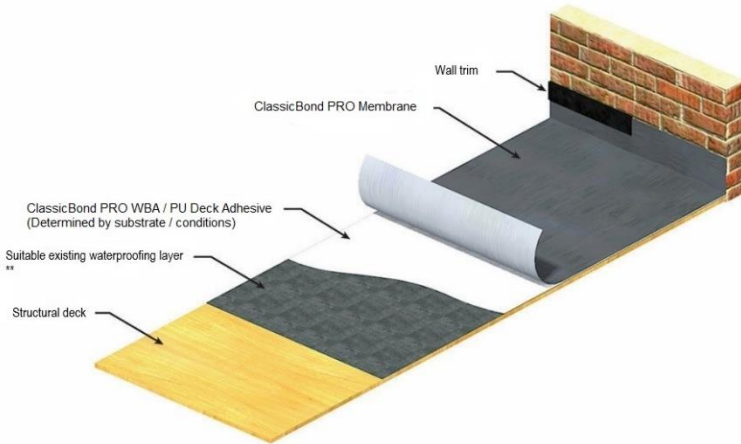
- **Cold Roof New assembly.**

For information on suitable substrate options contact the Flex-R Technical Department.



- **Cold Roof Overlay assembly.**

For information on suitable substrate options contact the Flex-R Technical Department.



4. Installation

4.1. General Guidelines

- Determine membrane layout to minimise wastage of materials.
- Check all measurements before cutting the sheet membrane.
- Position sheets as close as possible to finished location, allowing sufficient material for terminations.

4.2. Fully Adhered Membrane: Water Based Acrylic (WBA)

For deck/field sheet.

Suitable for timber, concrete, non-coated asphalt & mineral overlay.

Not suitable for glass tissue faced insulation.

The area to be bonded must be dry and free from dirt & loose materials.

- When deck preparation is complete:
If using plastisol metal trim install 50mm x 25 mm treated batten to form upstands on non-run-off edges. At gutter edges, install batten level with decking on front of fascia to create a drip edge.
If using SureEdge built-in-batten trim omit batten edges

For edge trims see 9.0



- Cut ClassicBond PRO EPDM to size allowing minimum 50mm excess at all perimeters. Lay in correct position. When laying more than one sheet of material, mark edges on the deck to give accurate glue lines. Fold or roll back the material to the mid-point.



- Working from the membrane, apply deck adhesive with a medium pile roller (225mm on a pole), to achieve a smooth, even application. Stop the deck adhesive 50mm from any upstand. Apply the adhesive up to the gutter edge.



- To adhere ClassicBond PRO EPDM walk or roll the material into the adhesive. WBA requires the membrane be installed when wet. **Do not allow the adhesive to tack off.**

Ensure all adhesives fully transfer to fleece to ensure a full bond is achieved.



4.3. Fully Adhered Membrane: Polyurethane (PU)

For deck/field sheet.

Suitable for timber, concrete, coated asphalt (subject to adhesion test), mineral overlay & tissue faced insulation.

Available in roller applied or spray applied format.

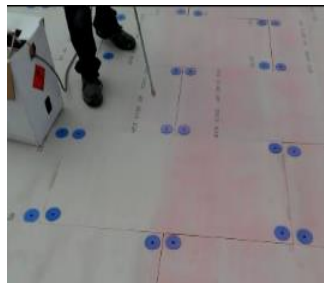
The area to be bonded must be dry and free from dirt & loose materials.

Roller Applied

- Follow the instructions for preparation of deck and layout of membrane as per WBA.
- Apply PU adhesive in beads to deck and roll/spread the adhesive to achieve full coverage. Care must be taken to spread adhesively thinly.
- Allow adhesive to foam slightly. This will take approximately 10 minutes at 20°C. Reaction will slow as temperatures become lower.
- Once adhesive is tacky, follow the instructions for membrane installation as WBA method

Spray Applied

- Follow the instructions for preparation of deck and layout of membrane as per WBA.
- Spray PU adhesive onto deck surface in a uniform, even coat at a rate of 5 seconds/linear metre.
- Allow adhesive to foam slightly. This will take approximately 10 minutes at 20°C. Reaction times will slow as temperatures become lower.
- Once adhesive is tacky, follow the



instructions for membrane installation as WBA method.

*Ensure gun tip is clear at all times and canister is warmed in colder temperatures to maintain pressure.

*All information is provided as a guideline only. Cure-time and open-time are dependent on a range of variables: temperature, substrate being bonded, method of application and weight of product applied. Flex-R highly recommends that testing is conducted prior to application.



4.4. Bonding Adhesive

For all vertical surfaces & inside angle changes, e.g. wall upstands, batten and skylight upstands.

Suitable for many porous and non-porous surfaces.

Available in brush/roller applied or spray applied format.

The area to be bonded must be dry and free from dirt & loose materials.

- Care should be taken to avoid mixing with WBA deck adhesive.
- Adhesive must be applied to both the substrate, and to the underside of the ClassicBond PRO material.

Once the field area has been adhered using deck adhesive, fold back the membrane to expose the clean deck perimeter, upstand, and underside of the ClassicBond PRO sheet.

Brush/Roller Applied

The adhesive should be thoroughly stirred before use. Coverage should be even. Avoid puddles, pools or saturated areas.

Spray Applied

Coverage should be even. Adhesive should be applied at opposing 90° directions on the substrate & to the reverse of membrane.

- Once adhesive is touch dry and doesn't transfer to a fingertip, mate the two surfaces together. Leave no voids between the ClassicBond PRO and the receiving surface.
- The bond should be consolidated by applying pressure with a roller.

*Ensure gun tip is clear at all times and canister is warmed in colder temperatures to maintain pressure.

4.5. ClassicBond Primer

ClassicBond primer **must** be used in conjunction with all pressure sensitive (PS) tapes/accessories. It should be applied to all areas where the PS tapes are to be installed.

- Ensure there are no naked flames near the product.
- Stir ClassicBond primer before and during use to agitate any sediment in the container.
- Carefully open the can. Avoid damage to seal.
- To prolong the life of ClassicBond primer minimise exposure to air by decanting required quantity for the working day into suitable smaller airtight containers.
- Only use in dry and clean conditions.
- Apply the ClassicBond primer in a circular scrubbing motion, evenly and without puddles, using a lint-free cloth or clean brush.
- Once applied, immediately replace the lid on the ClassicBond primer. Allow primer to dry completely.
- When PS tape is in position, roll immediately using a 50mm steel hand roller.

* ClassicBond Primer brushes and rollers should be replaced frequently.

*Precautions should be taken when using ClassicBond Primer in cold weather conditions (below 10°C). Certain atmospheric conditions may cause condensation to form on the surface. If this occurs it is necessary to wait for better ambient conditions. Previously applied primer should be re-coated with a refresher coat.

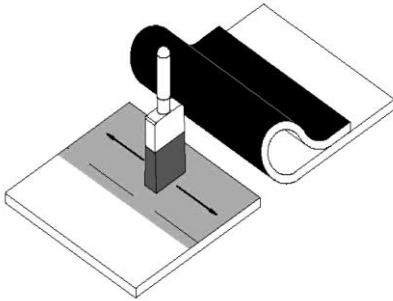
5. Pressure Sensitive Tapes

5.1. Membrane seaming Pre-Applied Seam Tape (PST)

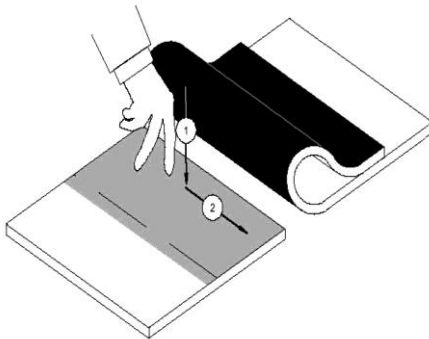
Once the ClassicBond PRO membrane is positioned and fully adhered to the substrate, the seaming process can be carried out.

See following pages for diagrams.

Figure 1: RB-ST-1



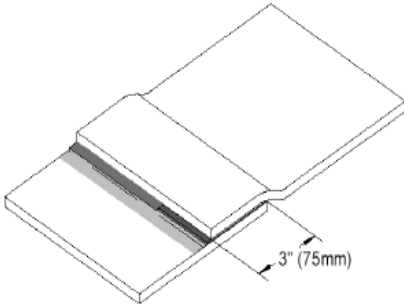
1. Sheets must overlap minimum of 100mm. Mark the bottom sheet 5-10mm beyond seam. Fold back lap edge. Apply ClassicBond primer to target area of bottom sheet. Ensure ClassicBond primer extends 5-10 mm beyond seam position.



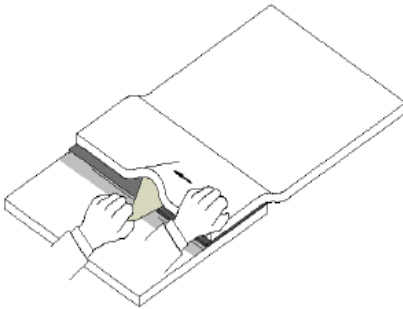
2. Test the primed area to ensure the ClassicBond primer is completely dry. A light touch should leave no imprint.

Figure 2: RB-ST-2

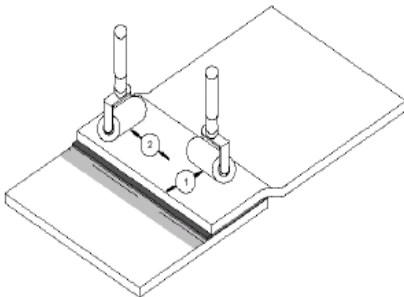
3. Leave cellophane backing in place and fold over the entire top lap edge, allowing it to sit in its natural position over the top sheet.



4. Remove the cellophane backing by pulling at 45° to the splice and smooth the overlap down by hand, removing any trapped air in the process.



5. Once in place roll the entire seam using a 50mm steel hand roller. Roll across and along the length of the seam. CLASSICBOND primer should be visible along the entire join.



Wherever PST seams turn up through an angle change, a cover patch must be applied using 225mm PS tape. This must be a minimum of 75mm either side of the join, 75mm onto the deck and 150mm up the wall (where the upstand allows).

Figure 3: RB-ST-3

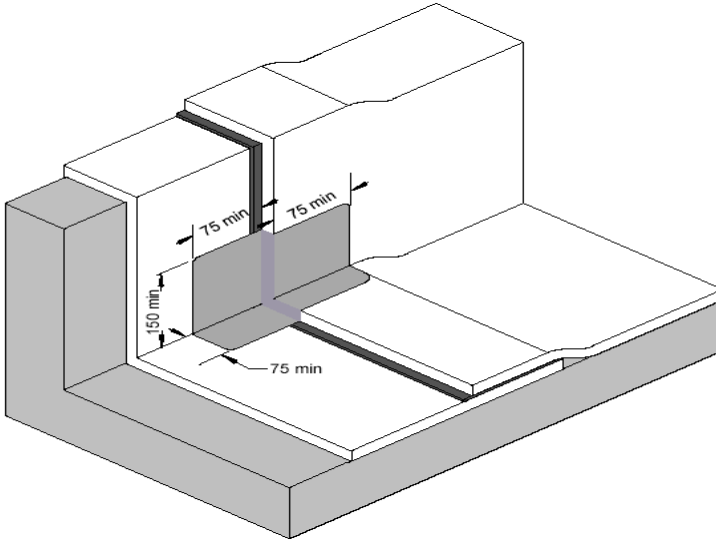
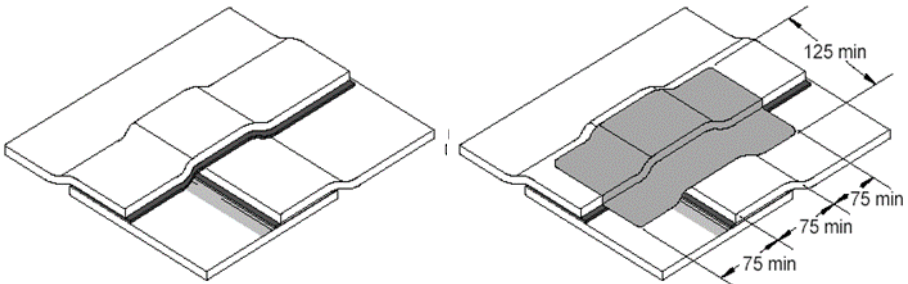


Figure 4: RB-ST-4

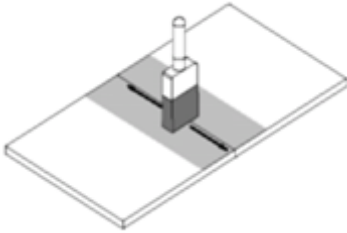


The 150mm tape is a semi-cured EPDM. It is not designed for use as a cover patch, nor is it designed to be moulded around or onto objects on the roof. For these, use 225mm PS uncured flashing.

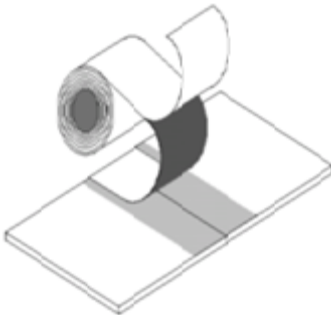
5.2. 150mm (6") Cover Strip

- This splice is for use at end laps (across the width of the sheet) or cut edges, for example, where there is no selvedge.

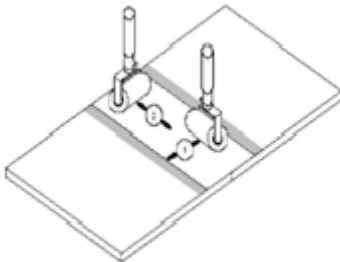
- Position the sheets so there is no gap between them to ensure the tape sits smoothly.
- Wherever 150mm Cover Strip seams turn up through an angle change, a cover patch must be applied using 225mm PS tape. This must be a minimum of 75mm either side of the tape, 75mm onto the deck and 150mm up the wall (where the upstand allows). This is done in the same way as the angle change for 75mm PST.



1. Mark the membrane where the tape is going to be positioned, ensuring it will be centred over the join. Apply ClassicBond primer to the target area.



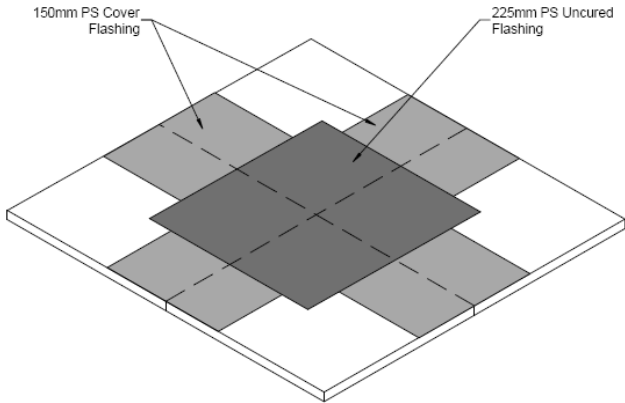
2. When the ClassicBond primer is dry, position the 150mm tape to the marks, with the cellophane facing down. Peel off approx. 0.5 metre of cellophane at a time and smooth out with a flat hand, forcing all the air out in the process.



3. Using the steel hand roller, roll the tape. If the tape becomes misaligned or the roll comes to its end, cut the tape and begin a new run with an overlap of 50mm and start the process again. Where this is done a cover patch of 225mm PS tape must be fitted over the overlap.

Where the 150mm tape is used and it meets or runs over a 75mm or another 150mm join or vice versa, a cover patch must be applied using 225mm PS tape. Cover patches must extend 75mm from the tape joining point.

Figure 5: RB-CS-2



The 150mm tape is a semi-cured EPDM. It is not designed for use as a cover patch, nor is it designed to be moulded around or onto objects on the roof. For these use 225mm PS uncured flashing.

5.3. 225mm (9") PS Uncured Flashing

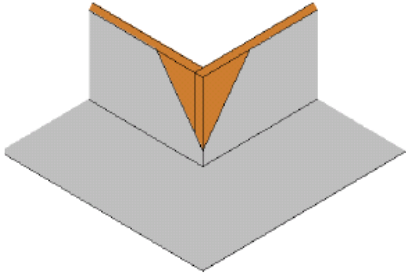
This tape is used for any detail work necessary on the roof. It has the ability to mould to almost any shape and will adhere to most surfaces, provided the surface is clean, dry, and correctly primed with the ClassicBond primer.

- To seal pipes, penetrations, corners and other details.
- Adaptable to irregular shapes and surfaces.
- Self-curing membrane.

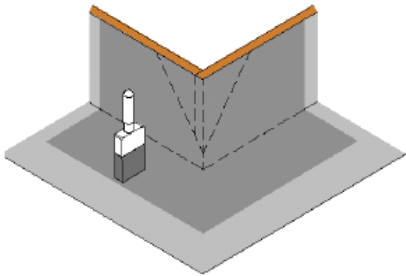
IF SUBJECT TO HIGH WATER FLOW RATES, OR SUBMERSION, DELAMINATION OF 225MM PS FLASHING MAY OCCUR. ALL EDGES SHOULD BE PROTECTED WITH ClassicBond PRO LAP SEALANT. LAP SEALANT HELPS PREVENT WATER FROM INFILTRATING BETWEEN THE FLASHING PLY AND THE TAPE PLY BEFORE THE FLASHING HAS FULLY CURED ON THE ROOF.

5.3.1. External corner

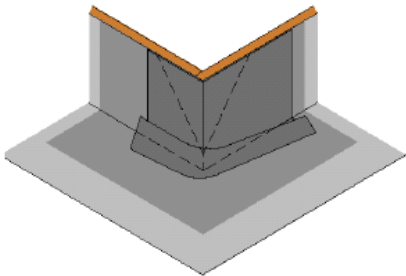
Figure 6: RB-EC-1



1. Cut the field sheet to allow membrane to continue round the corner with no tenting or creasing.

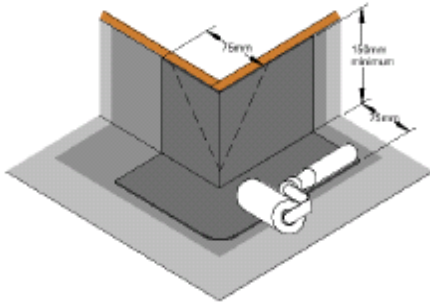


2. Apply ClassicBond Primer to the area to be flashed. The tape must extend 50mm beyond the cut membrane at its highest point, and 75mm both round the corner and to the deck.

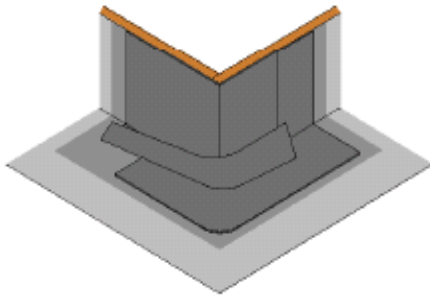


3. Once the primer is dry, remove the cellophane backing from the tape and install from the top point. Work the tape down the vertical surface, excluding any air. Press tight into the bottom angle to avoid bridging and trapped air. Smooth remaining tape onto deck evenly and uniformly.

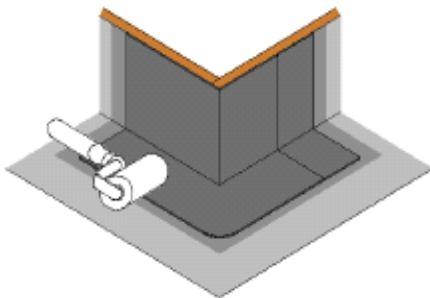
Figure 7: RB-EC-2



4. Roll the detail with 50mm steel hand roller

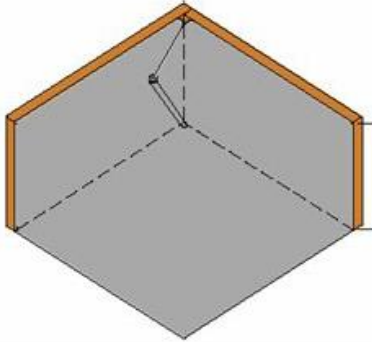


5. Repeat this procedure, starting from the other side to provide an overlap of at least 75 mm at the corner

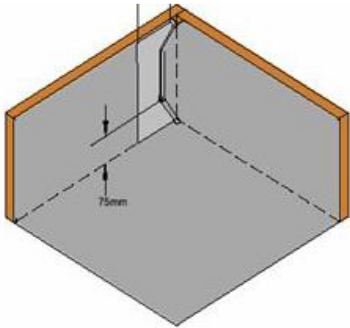


6. Roll the entire flashing to finish, ensuring the tape is pressed in fully to any steps to remove any openings.

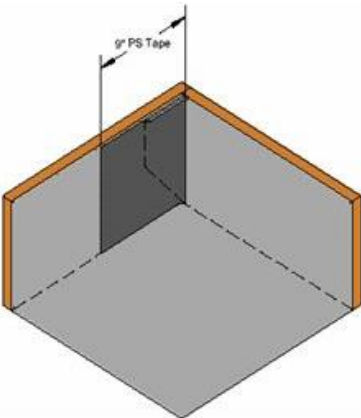
5.3.2. Internal corner



1. Adhere the ClassicBond PRO membrane to the upstand. Form the excess membrane into a triangular fold and trim to desired height.



2. Trim the fold vertically 75mm from the corner. Prime the target area of the wall, and both the inside face, and front of the fold.



3. Cut the 225mm PS tape to size to seal the fold. The tape must extend 75mm beyond the fold. Apply the 225mm tape. Roll the detail.

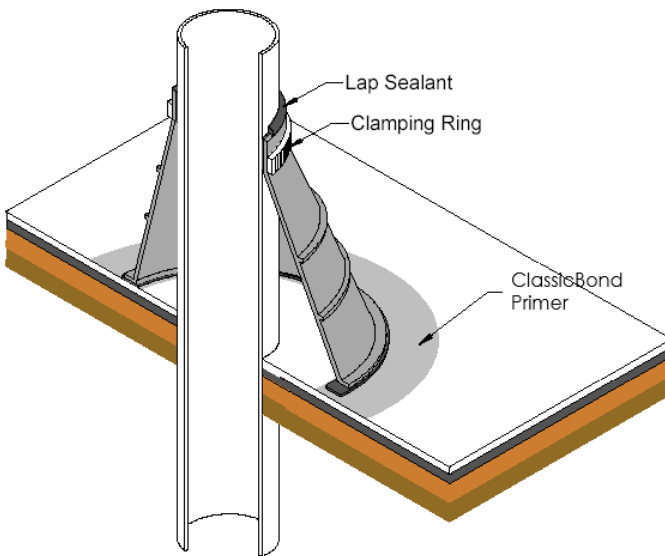
6. Pipe Seals

6.1. Pre-formed Pipe Seal

The pre-formed pipe seal is available in two sizes, to fit pipe diameters of 12.5 - 75mm or 25 - 150mm.

- To fit the pipe seal, determine the correct size and cut seal above the rib. Slide over the pipe. Secure in place with the clamp provided.
- Mark around the base of the seal where it sits on the membrane, raise the seal and prime the marked area. When the primer is ready, lower the seal, remove the cellophane film and adhere with hand pressure. Roll the PS Tape.

Figure 8: RB-PF-1



6.2. 225mm (9") PS Uncured Tape for Pipe Flashing

Pipes and roof penetrations can be sealed by using three pieces of 225mm Uncured tape moulded around the base of the protrusion.

For this, use:

Base:

Top:

Two identical size flashings at:

Width = 225mm

Width = 225mm

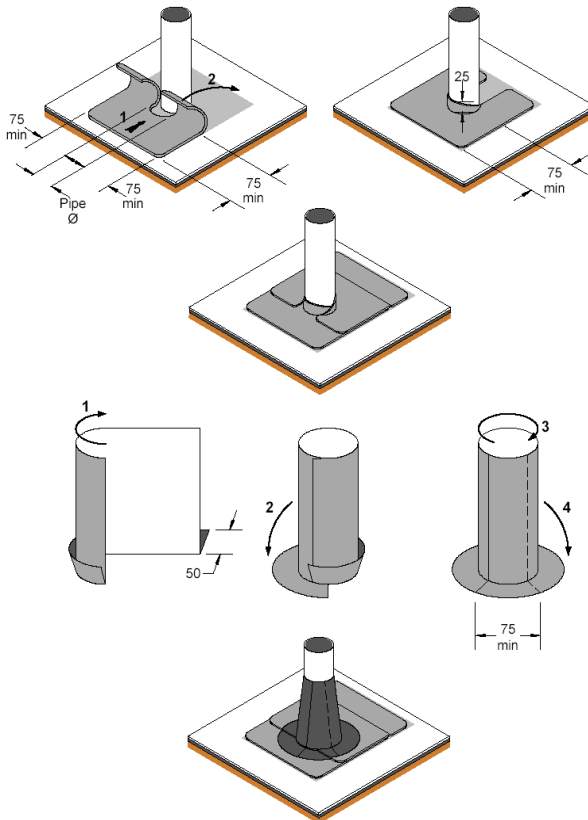
Length = Pipe circumference PLUS

Length = 75mm plus pipe diameter

75mm.

Apply primer to all areas to which 225mm tape is going to be adhered, including overlaps and the pipe.

Figure 9: RB-PF-2



7. Internal Drain

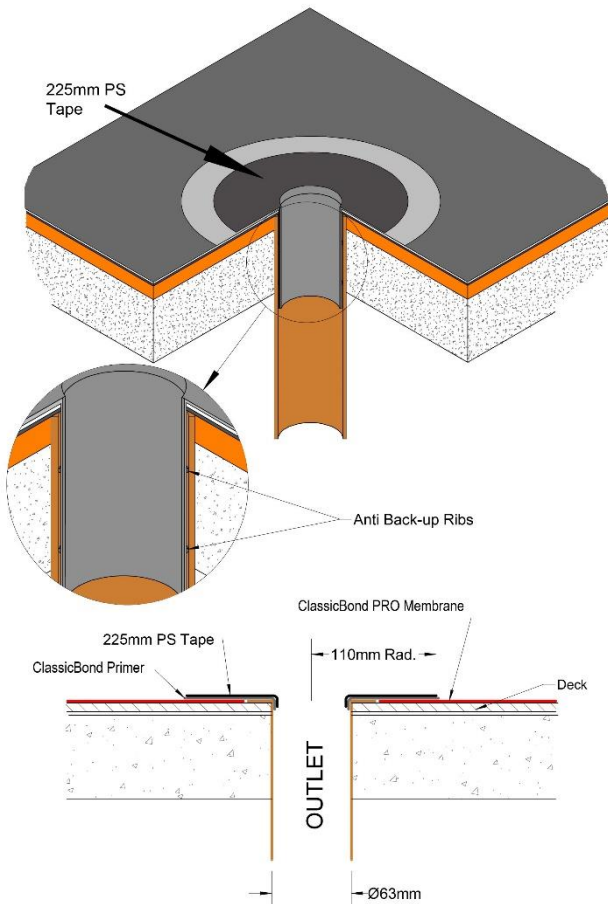
There are two basic methods for sealing to an internal drain. Pre-made outlets of various types can be used for standard outlets or an on-site method may be used for non-standard outlets.

7.1. Anti-back up drain for 68mm outlet

Designed to insert into the existing 68mm external diameter down pipe. The outlet is fitted with an anti-back up seal to achieve a watertight joint. Anti-back up drains are mechanically secured to the deck and sealed to the membrane with 225mm PS Uncured Tape.

Leaf grate for this outlet is available separately.

Figure 10: RB-D-1



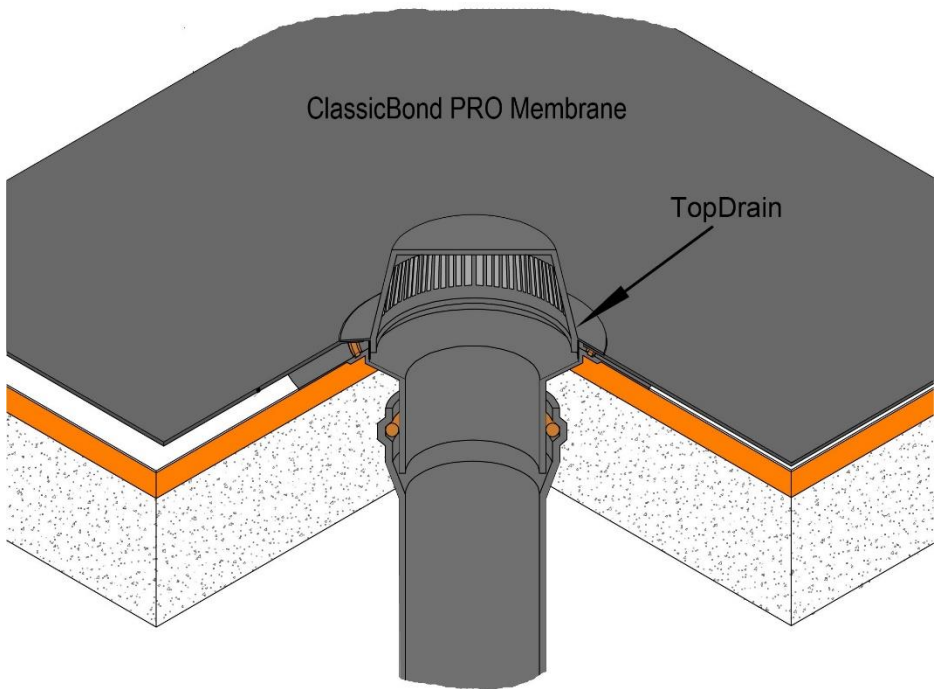
7.2. 110 Top Drain

Designed to couple to 110mm down pipes to allow high water run-off. Top Drains are mechanically secured to the deck and sealed to the membrane with water cut off mastic and a clamping ring.

Clamping ring and leaf grate included.

Water Cut Off mastic available separately

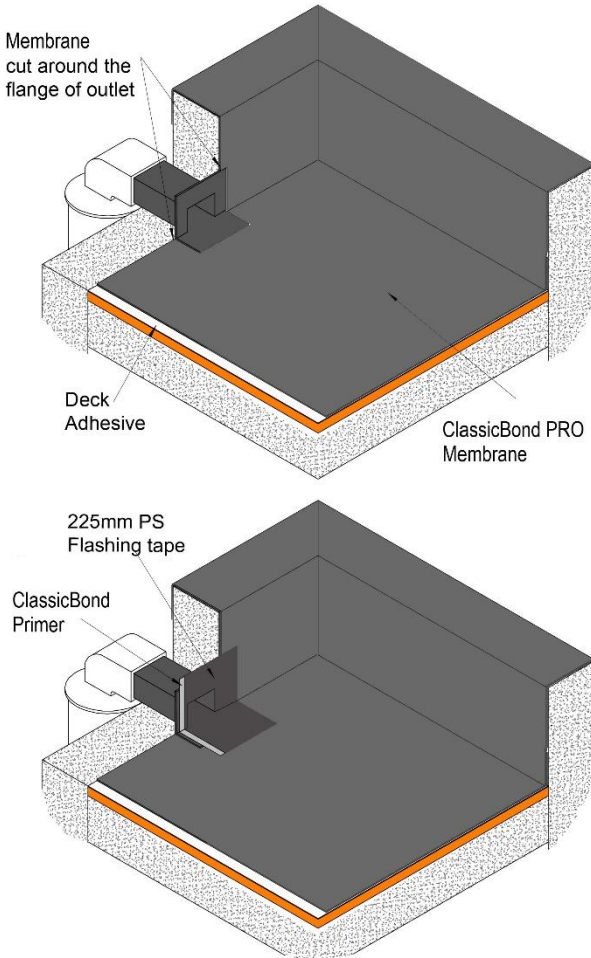
Figure 11: RB-D-2



7.3. Angled Roof Drain

Designed for horizontal installation through walls and pitched roofs.
Mechanically secure to the deck and seal to the membrane using 225mm PS
Uncured Flashing Tape.

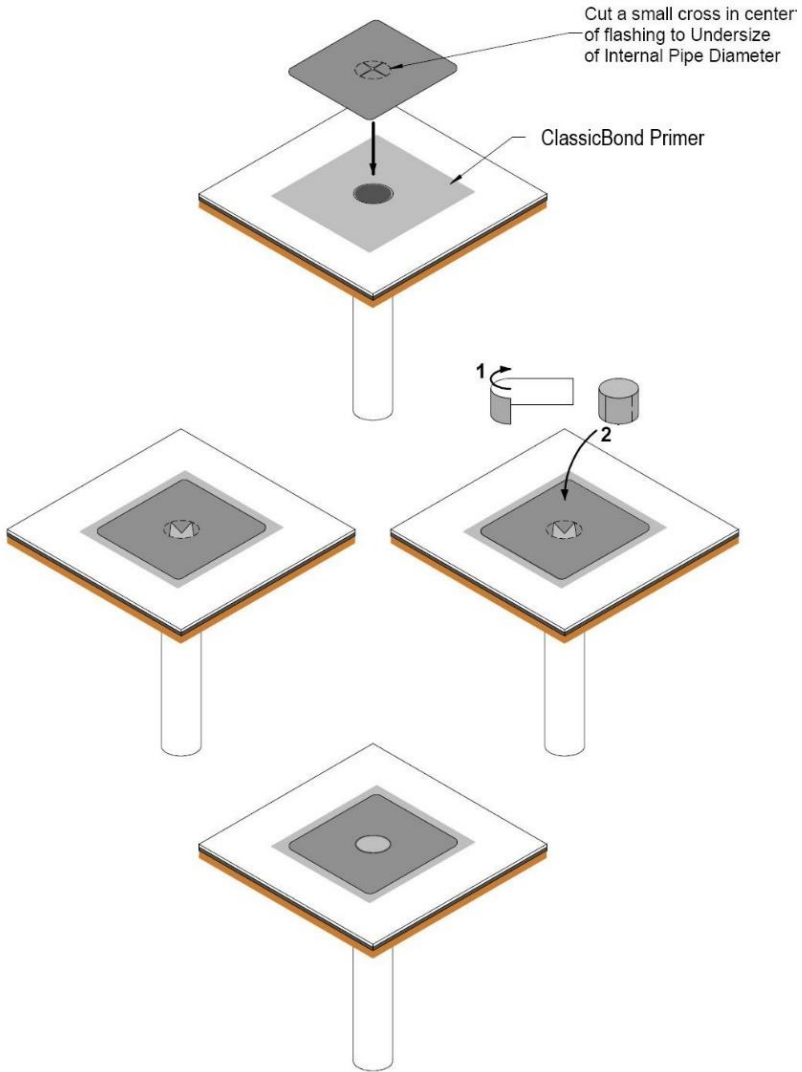
Figure 12: RB-D-3



7.4. For non-standard design

This method uses just the 225mm PS Uncured Tape to seal the membrane to the outlet pipe.

Figure 13: RB-D-4



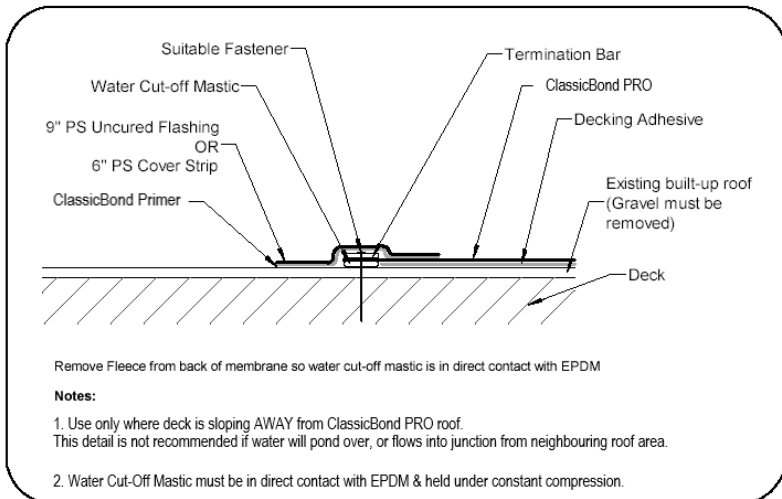
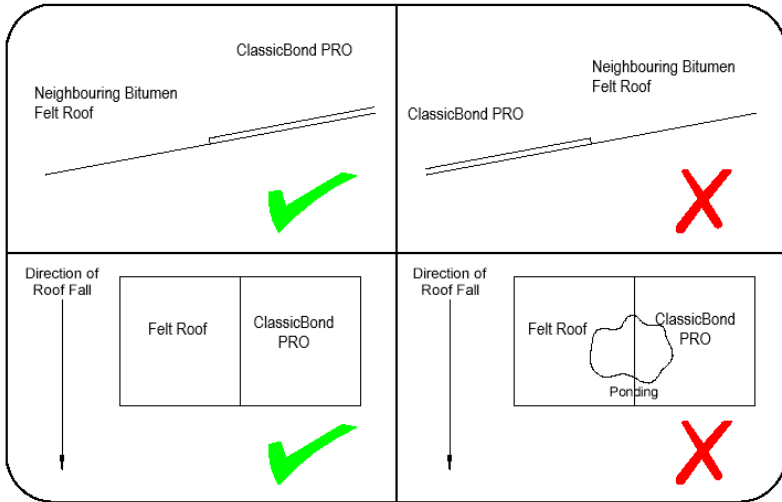
8. Termination to Bitumen Felt

ClassicBond PRO may be joined directly to a neighbouring flat roof. The diagram below shows simple guidelines to follow in the planning stage of the roof. For alternative methods please consult the Flex-R Technical Department.

8.1. Cold tie-in

Termination bar and water cut off mastic.

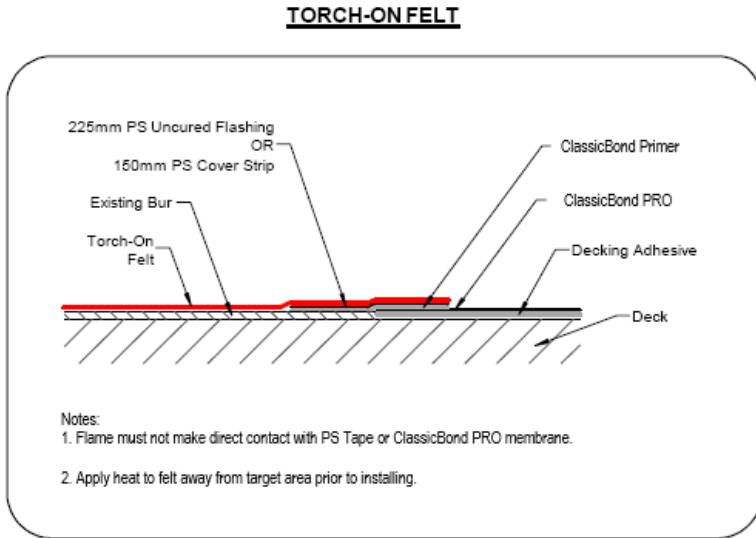
Figure 14: RB-BUR-1



See section 9.4

8.3. Hot tie-in option 1 - Torch on felt to tie into PS flashing tape.

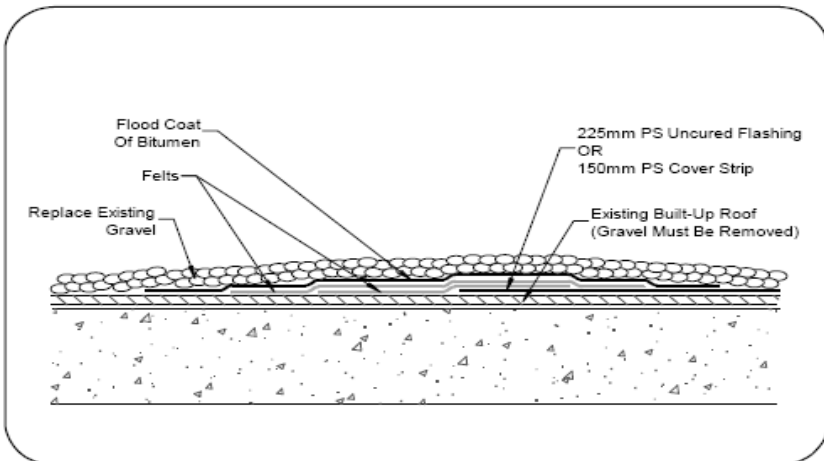
Figure 15: RB-BUR-3



Flame must not come into contact with PS tape or ClassicBond PRO membrane. Heat felt away from target area prior to laying.

8.4. Hot tie-in option 2 - Built up felt and asphalt to tie-in to PS flashing tape.

Figure 16: RB-BUR-4



9. Edge Terminations

9.1. Plastisol Metal Edge Terminations

Plastisol Edge Trims are available for gutter, check kerb, and wall terminations. They can offer more versatility and are available in multiple depths and colour choices.

9.1.1. Metal Drip Edge for gutter

The depth of the gutter metal edge trim should be aligned to the check kerb's metal edge trim.

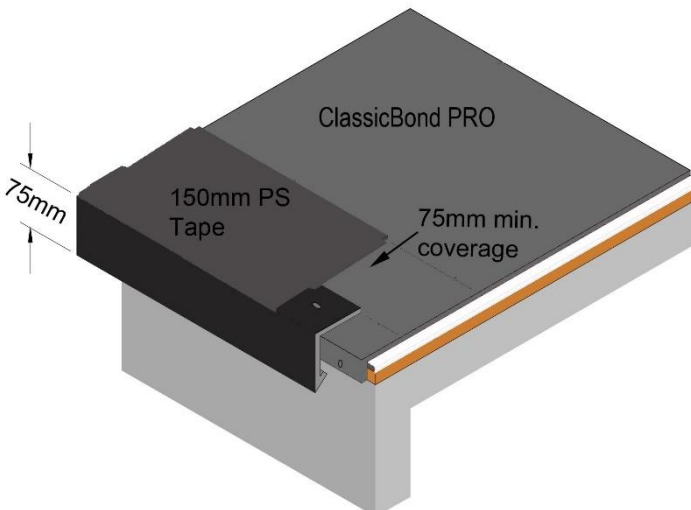
Typically the depth of gutter trims are 25mm less than check kerbs to accommodate the 25mm raised timber batten on the kerb edge.

E.g. A 100mm check curb edge raised on a 25mm x 50mm timber batten, requires the gutter metal trim to be 75mm to ensure a continuous bottom edge around the roof perimeter.

- Allow enough membrane to overhang roof edge by 50mm.
- Position the 75mm edge trim at the gutter edge, and fix downwards with suitable screws or ring shank nails into the decking at maximum 300mm centres, clamping the membrane to the deck.
- Seal the gutter trim to the ClassicBond PRO with 150mm tape and CLASSICBOND primer as detailed in section 5.2.

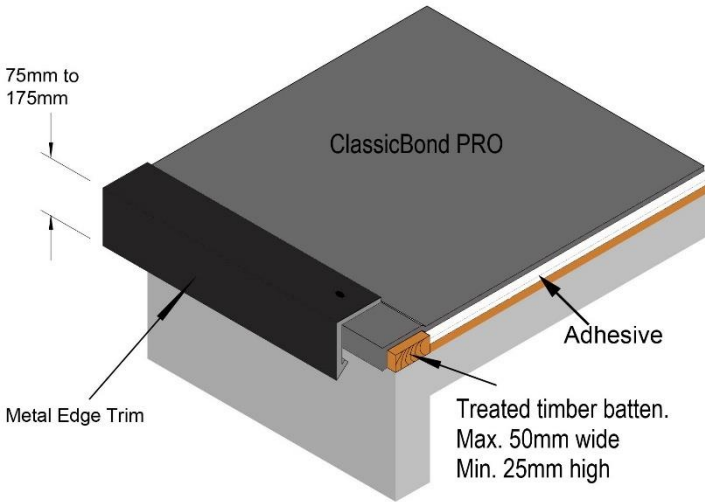
Note: If the roof is exposed, subject to high wind speeds or high level the fixings spacing's on the trims should be reduced to 150mm.

Figure 17: RB-GT-2



9.2. Metal Edge Trim Check Kerb Termination

- Installed over battens to create a check kerb termination.
 - Prior to membrane installation, a timber upstand should be fitted to the roof surface to bond membrane over. See 4.2
 - Secured with RB Fasteners 35/45mm. Maximum of 500mm centres.
 - The use of butt straps to link trims is recommended.
 - Standard. 75mm, 100mm, 125mm & 150mm. Non-standard to order.
- Note: If the roof is exposed, subject to high wind speeds or high level the fixings spacing's on the trims should be reduced to 225mm.



9.1.2. SureEdge PVC Perimeter Trims

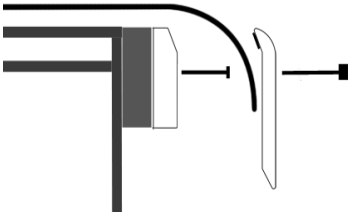
Full Installation videos available at: www.sureedge.co.uk

Gutter System

Available in two variants. Standard or Built-in-Batten back plate.

Standard requires back plate to be secured to timber batten.

Built-in-Batten back plate secures directly to fascia.



- Secure the back plate to the fascia at the roof edge.

- Ensure a minimum of 50mm ClassicBond PRO membrane to overhang the back plate.



- Position the front plate with foam seal to clamp the membrane between the 2 sections and fully fix into place with supplied fasteners.

Note: In areas of high wind, exposed areas and high buildings additional fixings between predrilled holes is recommended.

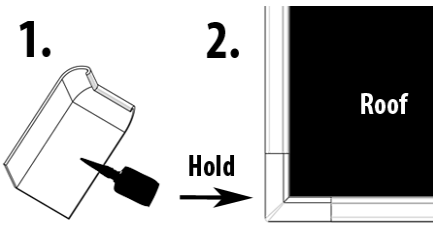
Gutter Trim Joiner



To install joiners:

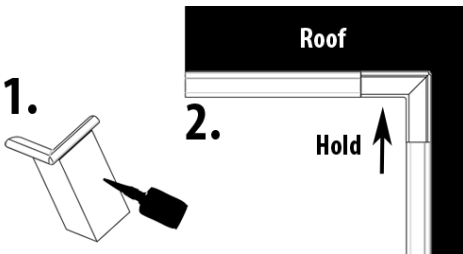
- Apply the adhesive to bond to one trim only. Hook the clip at the base of the joiner under the edge trim front plate. Once located, snap the top in to position.

Gutter Corners



External

- Apply the adhesive to one side of the corner
- Position and apply pressure adhesive has set.

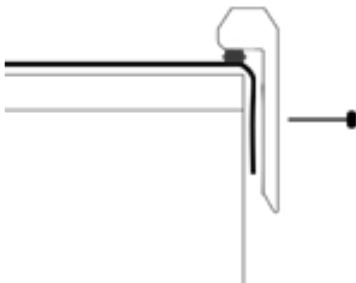


Internal

- Apply the adhesive to one side of the corner.
- Position and apply pressure until adhesive has set

SureEdge Check Kerb System

Create upstand and edge trim in one component.



- Install membrane and allow minimum 50mm overhang.
- Ensure membrane is clean, position edge trim and firmly push down to compress foam seal between 30-50%.
- Fix trim into place using supplied fixings.
- Allow 2.5mm expansion joint between each trim

Note: If a secure fixing cannot be achieved a timber fixer should be fitted to the vertical edge of the roof. In areas of high wind, exposed areas and high buildings additional fixings between pre-drilled holes is recommended.

Kerb Joiner

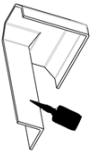


To install joiners:

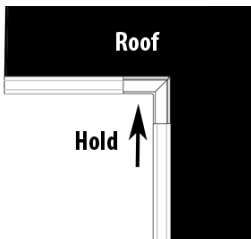
- Apply the adhesive to bond to one trim only. Hook the clip at the base of the joiner under the edge trim front plate. Once located, snap the top in to position.

Internal Corner

1.

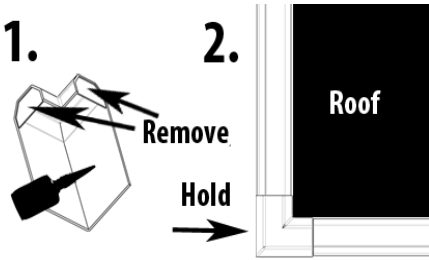


2.



- Mitre the trims so they fit together. A foam overrun, or lap sealant between lengths prevents water escape between them.
- Apply adhesive to one side of the corner.
- Position and apply pressure until adhesive has set.

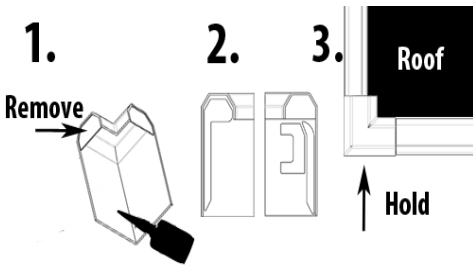
External Corner / Stop End



This universal corner is designed for both external check corners and stop end for gutter.

External Corner

- Mitre the trims so they fit together with either a foam seal or lap sealant.
- Remove the two blanking plates.
- Apply adhesive to one side of the corner.
- Position and apply pressure until adhesive has set.

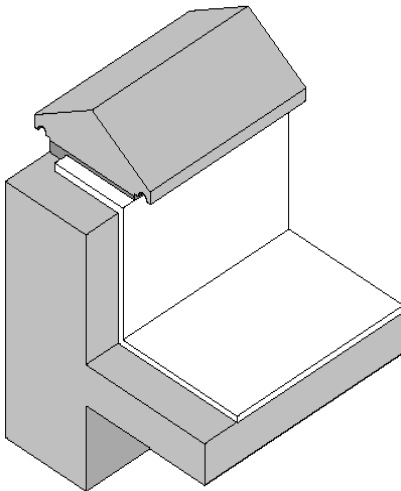
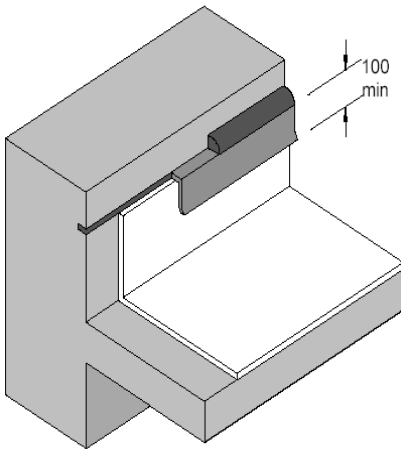


Stop End

- Remove one blanking plate for the relevant side
 - Apply adhesive to one side of the corner
- Position and apply pressure until adhesive has set.

9.3. Wall Terminations

Figure 18: RB-WT-1



- Cut chase into wall a minimum of 25mm depth.
- Insert wall trim into chase.
- Face fix using RB Fasteners (40mm), at a maximum of 500mm centres.
- Finish with an appropriate grade mastic along the top edge of the trim.
- Install the ClassicBond PRO across the top of wall 50mm short of outside face. Remove Fleece from outer 25mm. (Application of heat with gun aids this. See section 9.4) Apply a bead of Water Cut Off mastic under the outside edge.
- Lay the mortar bed from the rubber across to the outer brick wall to form a solid bed.

9.4. Fleece Removal (where required)

Fleece should be removed where using Water Cut Off Mastic to ensure watertight compression seal is achieved between the membrane & mastic. An electric heat gun simplifies this process.

- DO NOT USE NAKED FLAMES
- Apply heat to the target area using a suitable electric heat gun
- Keep gun moving to avoid damage to membrane.
- Fleece residue can then be removed.



10. Inspections

10.1. Basic Recommendations

- Remove all debris and unused materials.
- Clean any spilt adhesives.
- Check all flashings.
- Leave site clean and tidy.
- If leaving the roof temporarily overnight:
- Store all materials in dry, cool and secure conditions.
- Remove debris.
- Check roof is properly sealed from any water ingress overnight.

10.2. Membrane Installation

- All decking/insulation fastened correctly using appropriate fixings.
- No gaps in decking greater than 5mm.
- Correct full adhesion, no blisters or unadhered areas.
- No spillage of adhesives on the sheet.
- No bridging of material around perimeter upstands

10.3. Seaming with PST & 150mm tape.

- No wrinkles in the seams.
- All seams rolled immediately after application.
- PST tape is exposed between 5 – 10mm.
- ClassicBond primer is applied neatly without puddles and splashes.
- All cover patches installed.

10.4. 225mm PS Uncured Tape

10.4.1. External Corners

- Double Tape applied.
- ClassicBond primer applied properly to the entire Tape area.
- No bridging of 225mm tape through the angle change.
- No blisters or openings.
- 225mm tape not punctured or cut.
- Rolled immediately after application.

10.4.2. Internal Corner

- Fold closed and held back correctly.
- ClassicBond primer applied properly and to the entire flashing area.
- No bubbles or openings.

10.4.3. Pipe Seals

- Pipe Seal
- Top of seal cut just above correct rib.
- Pipe cleaned of all old material.
- Jubilee clip fixed straight and tight.
- Cover patches installed if required.

- 225mm PS Uncured Tape Seal
- ClassicBond primer applied correctly
- Pipe cleaned of old material.
- Both base pieces overlap and extend up the pipe.
- The top wrap piece overlaps by 75mm.
- No bridging at bottom of pipe.
- Rolled immediately after application

10.4.4. Internal Drains

- Angled Roof Drain
- The edge of the main flat 225mm tape is 75mm from drain opening.
- Inside of pipe cleaned, dry and entire flashing area primed.
- Insert strip placed inside the pipe to extend flashing 75mm down inside the pipe.
- Rolled immediately after application.

10.4.5. EPDM to BUR joint

- Area to join to clean and dry.
- Fleece removed prior to mastic application.
- T-bar fully fastened.
- Water cut-off mastic applied correctly. 150mm or 225mm tape applied over the T-bar from EPDM to BUR.
- No pooling at T-Bar.

- Water does not flow from old roof to new roof.

10.5. Roof Wall and Edge Terminations.

10.5.1. Wall Trim

- Top of trim a minimum of 150mm from deck.
- Fully inserted into wall.
- Mechanically fixed at 500mm intervals.
- Overlap of trim 75mm minimum.
- Mastic bead applied to the chase cut into the wall.

10.5.2. Metal Edge termination.

- All trims fixed at maximum 500mm centres.
- Joiner straps inserted in joints.
- All cuts neat and straight.

10.5.3. Gutter drip edge Timber wrap

- Timber cut to 45 degree angle top and bottom.
- Depth of timber no less than 75mm when cut.
- Fixed at 900mm centres with correct fixing. (Rubber washer seal min 45mm long)
- Wrap is tight and level with roof deck.

10.5.4. Metal drip edge

- Membrane does not extend past bottom of trim.
- Fixed at 300mm centres.
- Trim sits flat to deck.
- Sealed to field area with PST or 150mm Cover Strip applied.

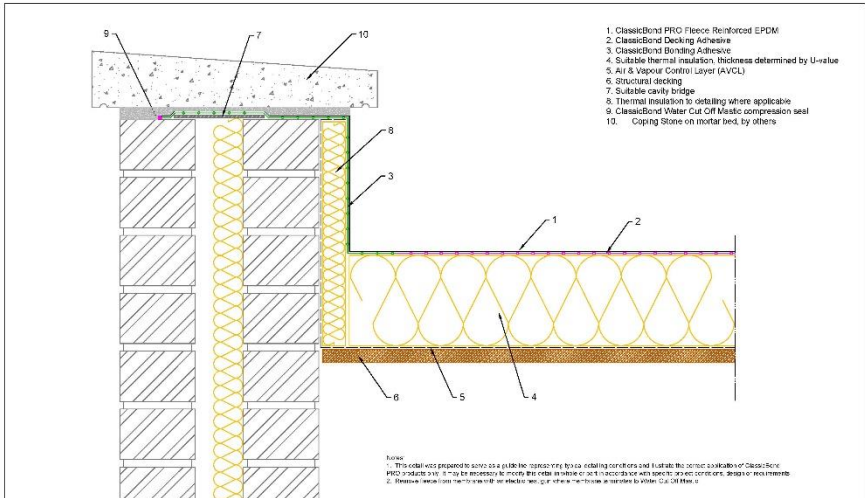
10.6. Roof Coverings

- Where patio slabs or decking fitted, not sitting directly onto rubber surface.
- Decking not mechanically fixed through membrane.

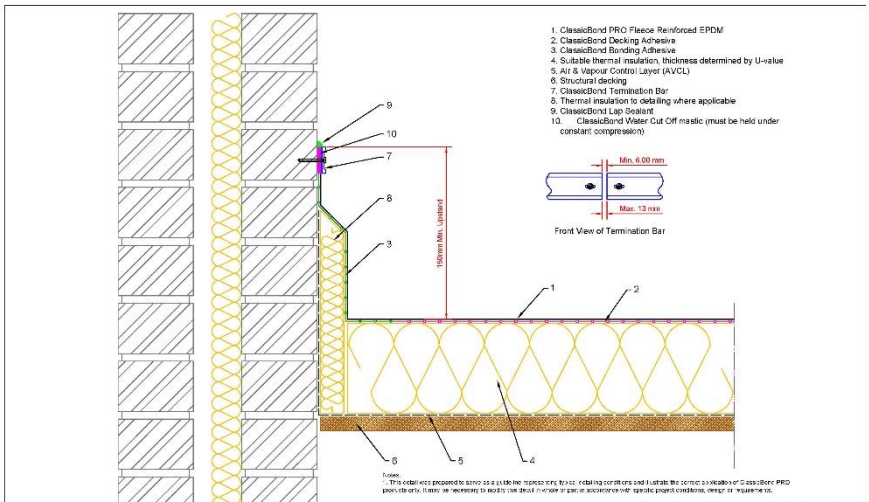
11. Repairs

- Repair mechanical damage, such as holes in rubber, with 225mm flashing tape.
- Perimeter of patch must be a minimum of 75mm from damage.
- Clean with Weathered Membrane Cleaner to prepare surface to which to apply the ClassicBond primer. Light dirt can be cleaned with soapy water and dried out.
- Roll immediately after application.

12. Details



 www.classicbond.co.uk	Title COPING STONE DETAIL		Drawn MFO	Checked DW	Approved DW	Scale 1:4@A4	Date 22.05.12
	Product DP-W-3		Status PRODUCTION		Drawing No: DP/W/3		
	Rev A	Date 22.06.12	Comments PRODUCTION Issue	Rev B			



 www.classicbond.co.uk	Title TERMINATION BAR DETAIL		Drawn MFO	Checked DW	Approved DW	Scale 1:4@A4	Date 11.09.12
	Product DP-W-2		Status PRODUCTION		Drawing No: DP/W/2		
	Rev A	Date 11.09.12	Comments PRODUCTION Issue	Rev B			

1. ClassicBond PRO Flexcore Reinforced EPDM
2. ClassicBond Dackling Adhesive
3. ClassicBond Bonding Adhesive
4. Suitable thermal insulation, thickness determined by U-value
5. Air & Vapour Control Layer (AVCL)
6. Structural decking
7. Prefabricated metal edge skin (Roof Flashing to be mechanically fixed into upstand) or cold-lead Flashing by others.
8. Thermal insulation to detailing where applicable
9. ClassicBond Lip Sealant or Sealant by others

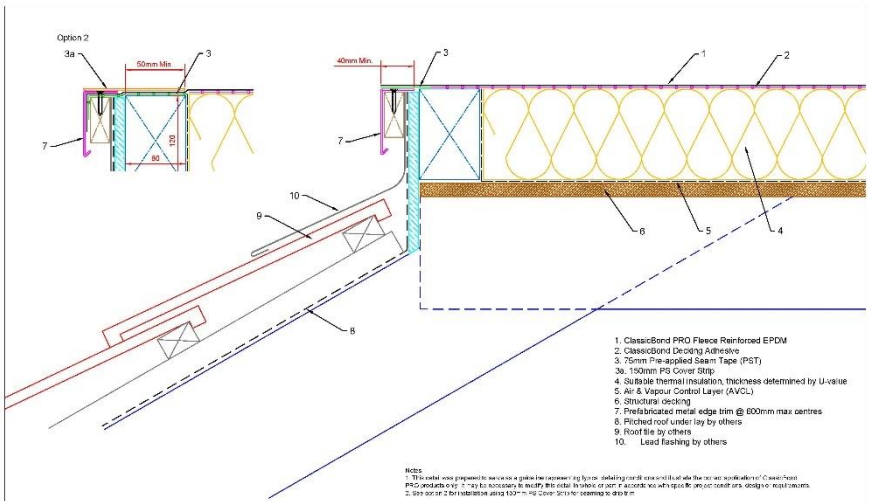
Note:
1. This detail was prepared to serve as a guideline representing best practice detailing practices and illustrate the correct installation of ClassicBond PRO products only. It may be necessary to modify this detail in view of particular circumstances, design or requirements.

 www.classbond.com/uk	Title WALL FLASHING DETAIL	Drawn MFO	Checked DW	Approved DW	Scale 1:4@A4	Date 11.09.12	
	Product DP-W-1	Status PRODUCTION	Drawing No: DP/W/1				Rev B
	Rev Date Comments	B 02.04.14 Text updated					
	A 11.09.12 PRODUCTION issue						

1. ClassicBond PRO Flexcore Reinforced EPDM
2. ClassicBond Dackling Adhesive
3. 150mm PS Cover Slip
4. Suitable thermal insulation, thickness determined by U-value
5. Air & Vapour Control Layer (AVCL)
6. Structural decking
7. Finished roof/under lay by others
8. Roof file by others
9. Lead flashing by others.


Note:
1. This detail was prepared to serve as a guideline representing best practice detailing practices and illustrate the correct application of ClassicBond PRO products only. It may be necessary to modify this detail in view of particular circumstances, design or requirements.

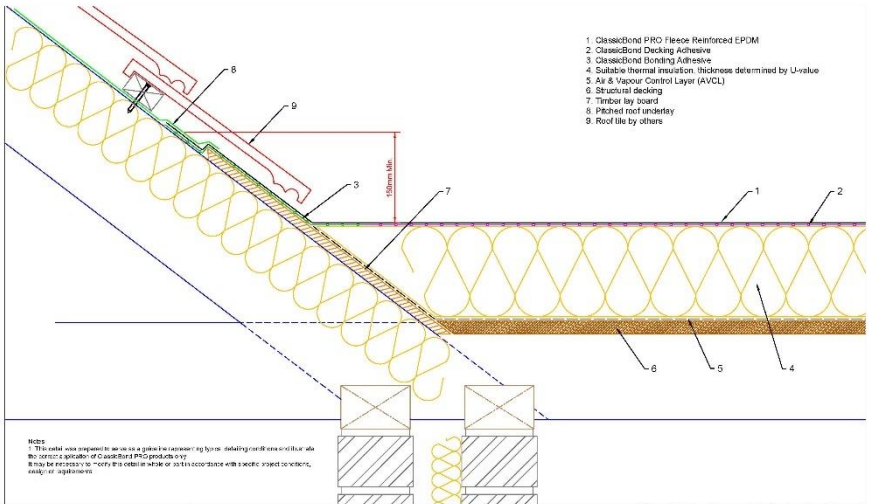
 www.classbond.com/uk	Title FLAT ROOF TO PITCH ROOF LEAD TERMINATION (MANSARD)	Drawn MFO	Checked DW	Approved DW	Scale 1:4@A4	Date 17.10.12	
	Product DP-T-3	Status PRODUCTION	Drawing No: DP/T/3				Rev B
	Rev Date Comments	B 02.04.14 Text updated					
	A 17.10.12 PRODUCTION issue						



1. ClassicBond PRO Fleeces Reinforced EPDM
2. ClassicBond Doping Adhesive
3. 75mm Pre-applied Saam Tape (PST)
- 3a. 150mm PS Cover Strip
4. Suitable thermal insulation, thickness determined by U-value
5. Air & Vapour Control Layer (AVCL)
6. Structural decking
7. Prefabricated metal edge trim @ 100mm max centres
8. Pitched roof under lay by others
9. Roof tile by others
10. Lead flashing by others


Notes:
 1. This detail was prepared to be used as a guide for construction by the building contractor and is not a specification of ClassicBond PRO products only. It may be necessary to modify this detail to suit the requirements of other contractors, design or requirements. Consult your local sales office for more information on our products.

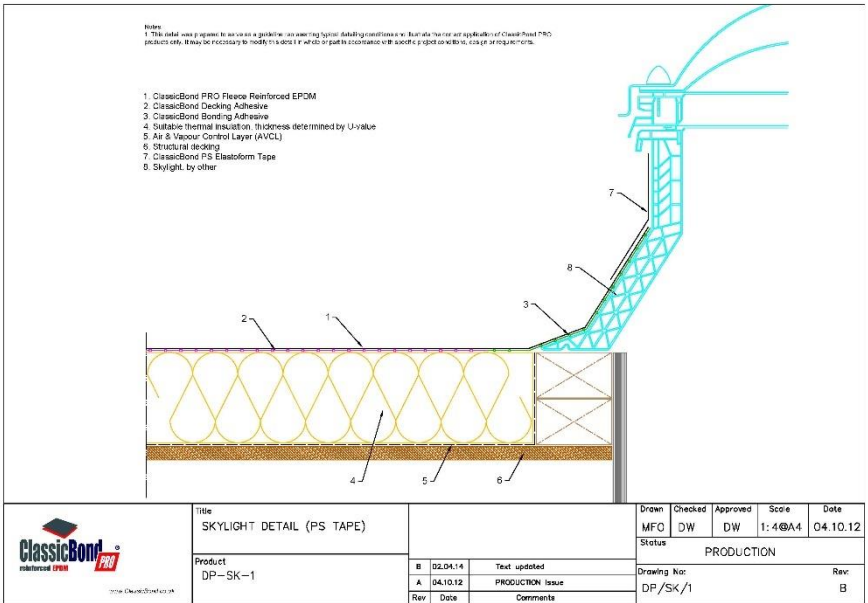
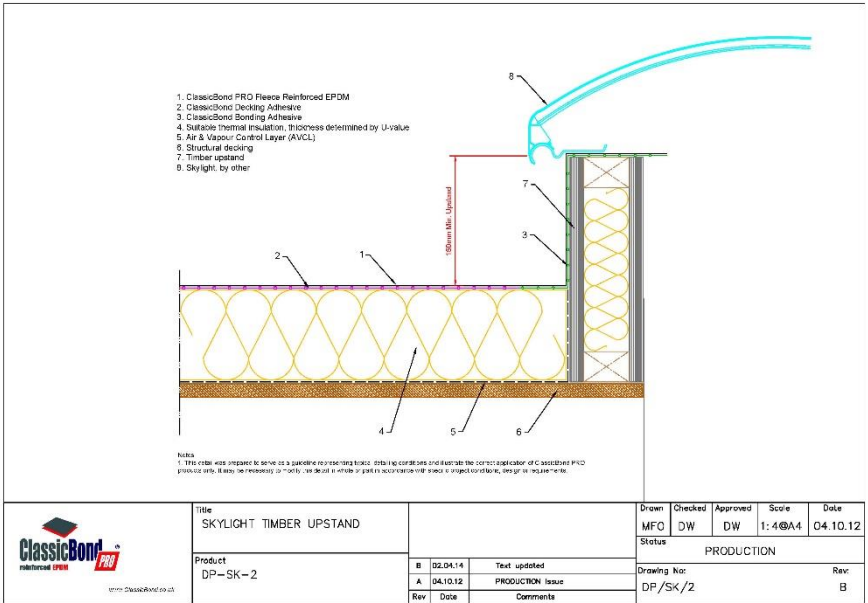
 www.classicbond.co.uk	Title FLAT ROOF TO PITCH ROOF TERMINATION (MANSARD)	<table border="1"> <tr> <th>Drawn</th> <th>Checked</th> <th>Approved</th> <th>Scale</th> <th>Date</th> </tr> <tr> <td>MFG</td> <td>DW</td> <td>DW</td> <td>1:4@A4</td> <td>12.09.12</td> </tr> </table>	Drawn	Checked	Approved	Scale	Date	MFG	DW	DW	1:4@A4	12.09.12					
	Drawn	Checked	Approved	Scale	Date												
MFG	DW	DW	1:4@A4	12.09.12													
Product DP-T-2	<table border="1"> <tr> <th>Rev</th> <th>Date</th> <th>Comments</th> </tr> <tr> <td>B</td> <td>02.04.14</td> <td>Text updated</td> </tr> <tr> <td>A</td> <td>12.09.12</td> <td>PRODUCTION issue</td> </tr> </table>	Rev	Date	Comments	B	02.04.14	Text updated	A	12.09.12	PRODUCTION issue	<table border="1"> <tr> <th>Status</th> <th>Drawing No:</th> <th>Rev</th> </tr> <tr> <td>PRODUCTION</td> <td>DP/T/2</td> <td>B</td> </tr> </table>	Status	Drawing No:	Rev	PRODUCTION	DP/T/2	B
Rev	Date	Comments															
B	02.04.14	Text updated															
A	12.09.12	PRODUCTION issue															
Status	Drawing No:	Rev															
PRODUCTION	DP/T/2	B															



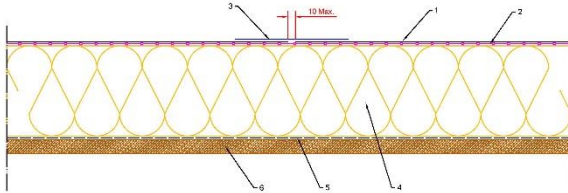
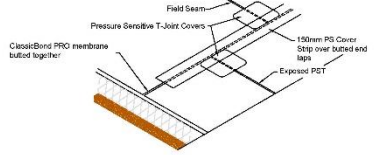
1. ClassicBond PRO Fleeces Reinforced EPDM
2. ClassicBond Doping Adhesive
3. ClassicBond Bonding Adhesive
4. Suitable thermal insulation, thickness determined by U-value
5. Air & Vapour Control Layer (AVCL)
6. Structural decking
7. Timber by board
8. Pitched roof underlay
9. Roof tile by others

Notes:
 1. This detail was prepared to be used as a guide for construction by the building contractor and is not a specification of ClassicBond PRO products only. It may be necessary to modify this detail to suit the requirements of other contractors, design or requirements. Consult your local sales office for more information on our products.


 www.classicbond.co.uk	Title FLAT ROOF TO PITCH ROOF TERMINATION	<table border="1"> <tr> <th>Drawn</th> <th>Checked</th> <th>Approved</th> <th>Scale</th> <th>Date</th> </tr> <tr> <td>MFG</td> <td>DW</td> <td>DW</td> <td>1:4@A4</td> <td>12.09.12</td> </tr> </table>	Drawn	Checked	Approved	Scale	Date	MFG	DW	DW	1:4@A4	12.09.12					
	Drawn	Checked	Approved	Scale	Date												
MFG	DW	DW	1:4@A4	12.09.12													
Product DP-T-1	<table border="1"> <tr> <th>Rev</th> <th>Date</th> <th>Comments</th> </tr> <tr> <td>B</td> <td>02.04.14</td> <td>Text updated</td> </tr> <tr> <td>A</td> <td>12.09.12</td> <td>PRODUCTION issue</td> </tr> </table>	Rev	Date	Comments	B	02.04.14	Text updated	A	12.09.12	PRODUCTION issue	<table border="1"> <tr> <th>Status</th> <th>Drawing No:</th> <th>Rev</th> </tr> <tr> <td>PRODUCTION</td> <td>DP/T/1</td> <td>B</td> </tr> </table>	Status	Drawing No:	Rev	PRODUCTION	DP/T/1	B
Rev	Date	Comments															
B	02.04.14	Text updated															
A	12.09.12	PRODUCTION issue															
Status	Drawing No:	Rev															
PRODUCTION	DP/T/1	B															



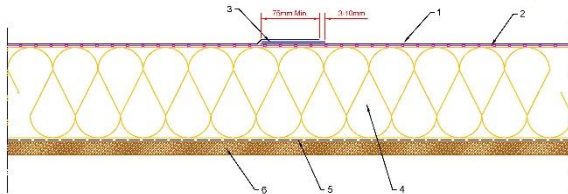
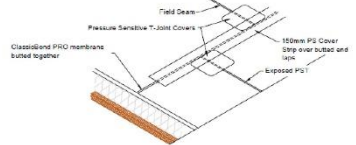
1. ClassicBond PRO Fibre-reinforced EPDM
2. ClassicBond Decking Adhesive
3. 10mm PS Cover Strip
4. Suitable thermal insulation, thickness determined by U-value
5. Air & Vapour Control Layer (AVCL)
6. Structural decking




- Notes:
1. This detail was prepared to serve as a guide for reporting, detailing, construction and illustrate the correct application of ClassicBond PRO products. It is not intended to ensure the detail complies with all applicable codes, standards, design or requirements.
 2. Apply ClassicBond adhesive to ensure correct adhesion to the substrate.
 3. Apply pressure sensitive insulation T-joint covers after such membrane is fixed above and/or below structure.

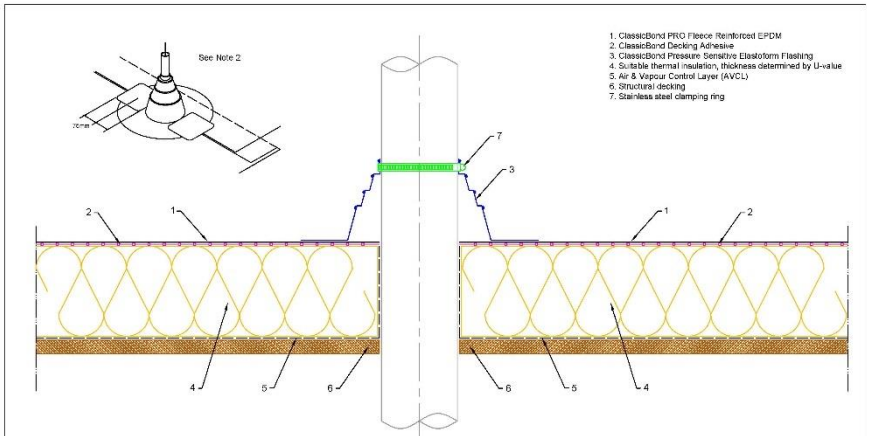
 www.classicbond.co.uk	Title END LAP SPLICE / CURED COVER STRIP		Drawn MFO	Checked DW	Approved DW	Scale 1:4@A4	Date 23.10.12
	Product DP-S-2		Status PRODUCTION		Drawing No: DP/S/2		Rev B
	# 02.04.14 A 23.10.12 Rev Date	Text updated PRODUCTION issue Comments					

1. ClassicBond PRO Fibre-reinforced EPDM
2. ClassicBond Decking Adhesive
3. 75mm Pre-applied Seam Tape (PST)
4. Suitable thermal insulation, thickness determined by U-value
5. Air & Vapour Control Layer (AVCL)
6. Structural decking




- Notes:
1. This detail was prepared to serve as a guide for reporting, detailing, construction and illustrate the correct application of ClassicBond PRO products. It is not intended to ensure the detail complies with all applicable codes, standards, design or requirements.
 2. Apply the insulation and PST apply ClassicBond adhesive to ensure correct adhesion.
 3. At end seam intersections apply a section of PS insulation laps as cover joints.

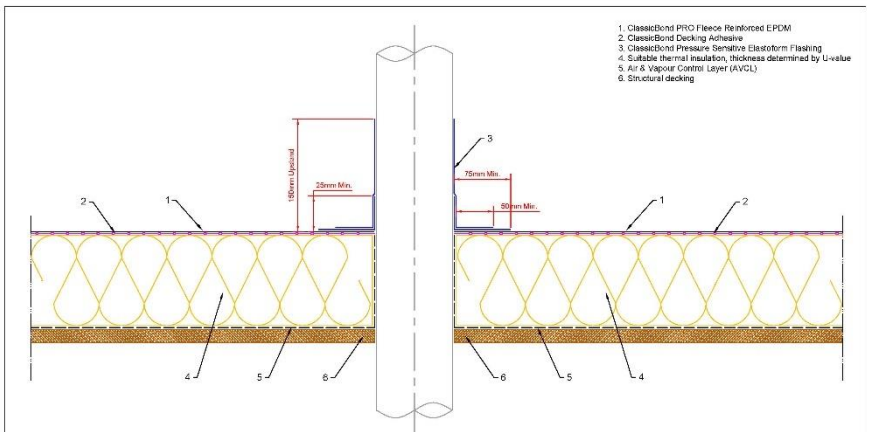
 www.classicbond.co.uk	Title MEMBRANE SPLICE WITH PST		Drawn MFO	Checked DW	Approved DW	Scale 1:4@A4	Date 23.10.12
	Product DP-S-1		Status PRODUCTION		Drawing No: DP/S/1		Rev B
	# 02.04.14 A 23.10.12 Rev Date	Text updated PRODUCTION issue Comments					



1. ClassicBond PRO Fleece Reinforced EPDM
2. ClassicBond Decking Adhesive
3. ClassicBond Pressure Sensitive Elastoflorm Flashing
4. Suitable thermal insulation, thickness determined by U-value
5. Air & Vapour Control Layer (AVCL)
6. Structural decking
7. Stainless steel clamping ring


Notes:
 1. The fleece was applied to the pipe surface before the clamping ring was installed.
 2. Where the reinforced fleece is applied to the pipe surface, the pipe must be installed using 25mm PS insulation.
 3. The fleece must be applied to the pipe surface before the clamping ring is installed.
 4. The detail is suitable for pipes 25mm - 150mm in diameter.

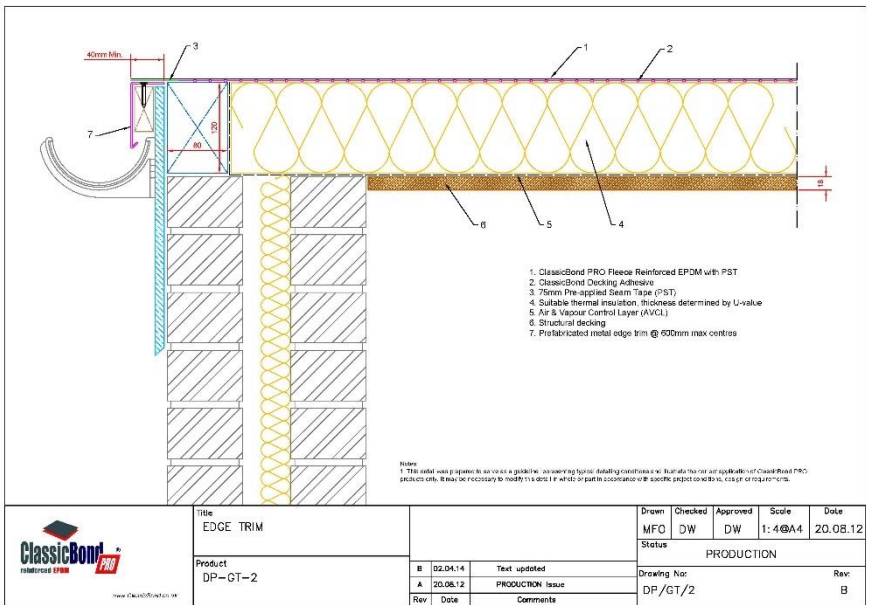
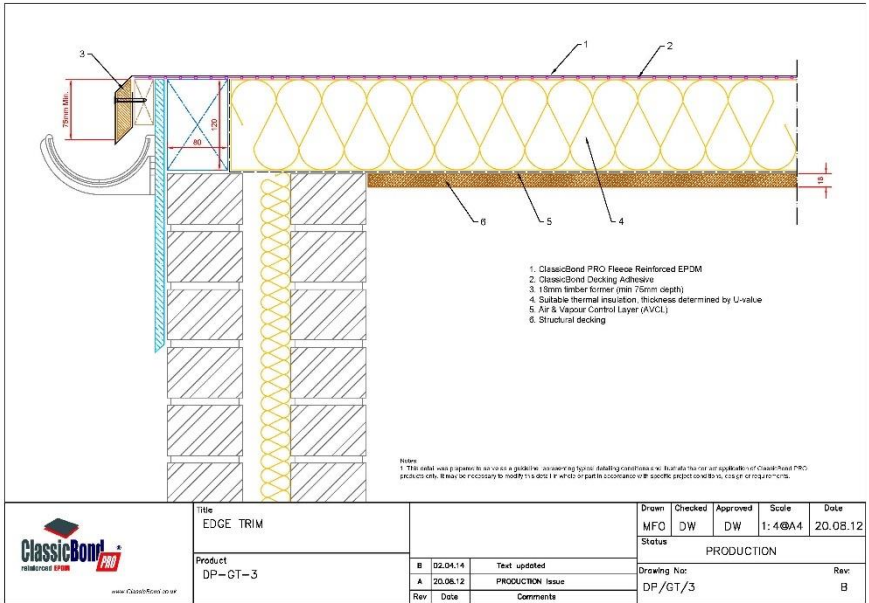
 www.classicbond.co.uk	Title PRE-FABRICATED PIPE SEAL		Drawn MFO	Checked DW	Approved DW	Scale 1:4@A4	Date 13.09.12
	Product DP-P-2		Status PRODUCTION				
		# 02.04.14 Text updated	Drawing No: DP/P/2		Rev B		
		A 13.09.12 PRODUCTION issue					
		Rev Date Comments					

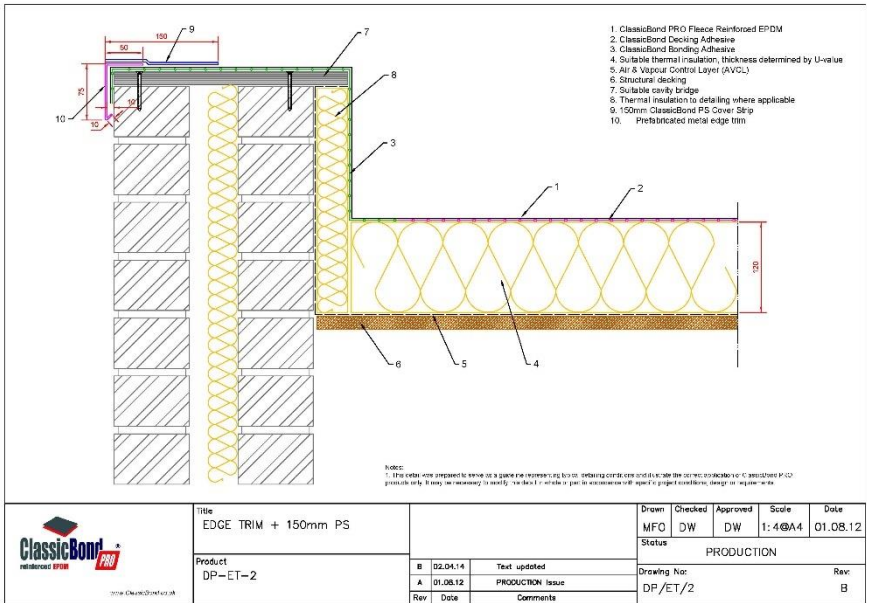
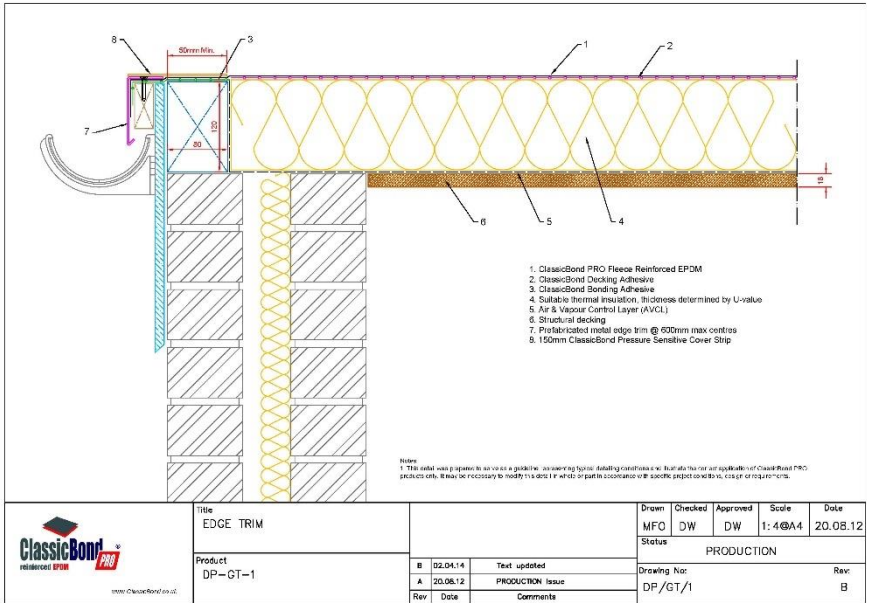


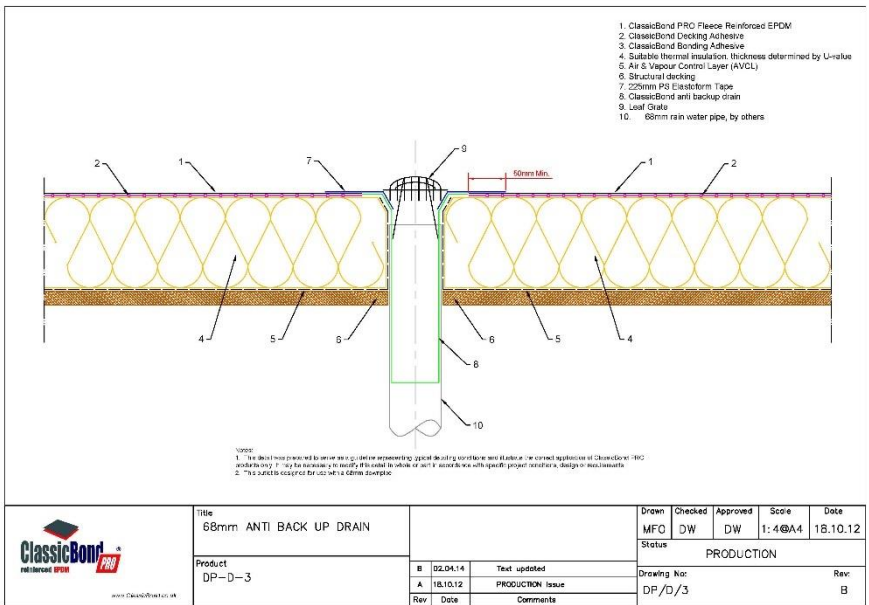
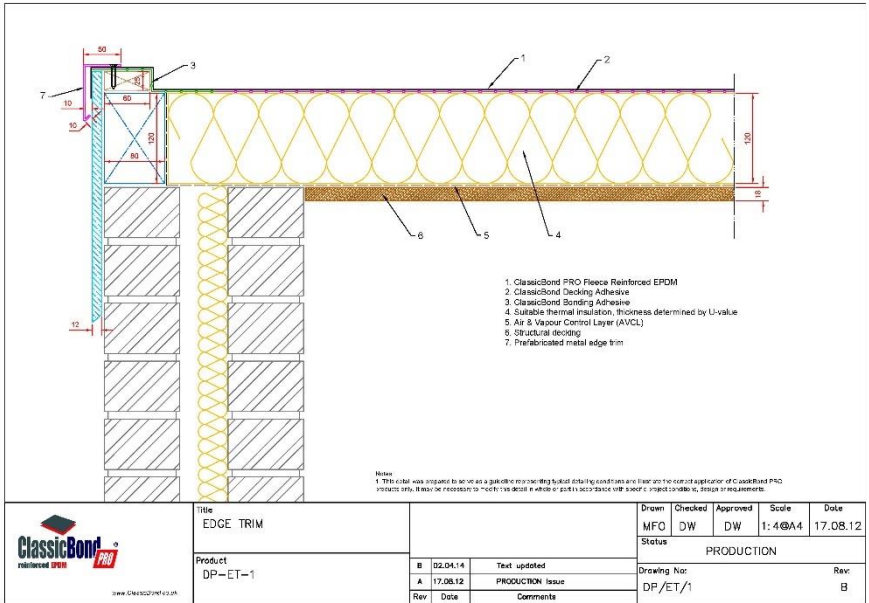
1. ClassicBond PRO Fleece Reinforced EPDM
2. ClassicBond Decking Adhesive
3. ClassicBond Pressure Sensitive Elastoflorm Flashing
4. Suitable thermal insulation, thickness determined by U-value
5. Air & Vapour Control Layer (AVCL)
6. Structural decking

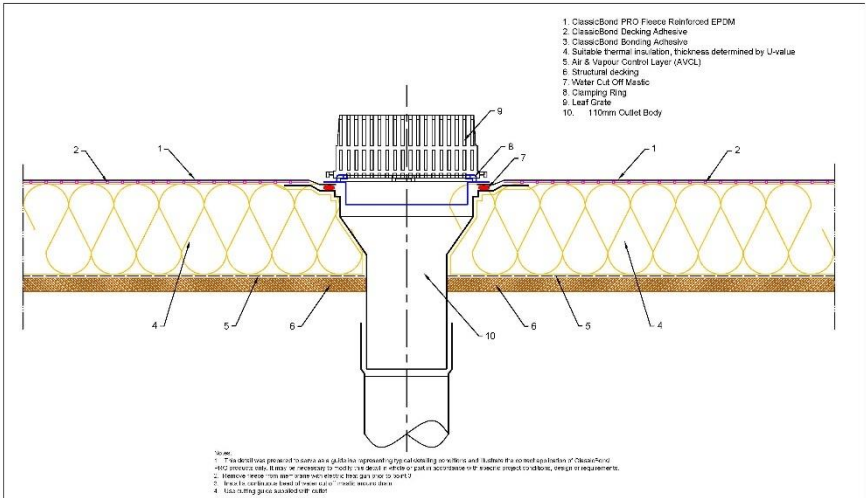
Notes:
 1. The details are provided to serve as a guide. The manufacturer should be consulted for specific requirements.
 2. Must be installed using 25mm PS insulation.


 www.classicbond.co.uk	Title FABRICATED PIPE SEAL		Drawn MFO	Checked DW	Approved DW	Scale 1:4@A4	Date 13.09.12
	Product DP-P-1		Status PRODUCTION				
		# 02.04.14 Text updated	Drawing No: DP/P/1		Rev B		
		A 13.09.12 PRODUCTION issue					
		Rev Date Comments					

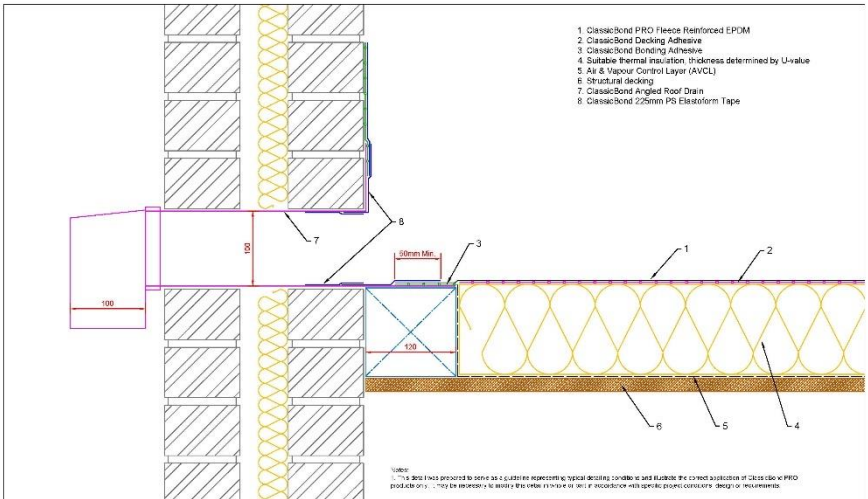





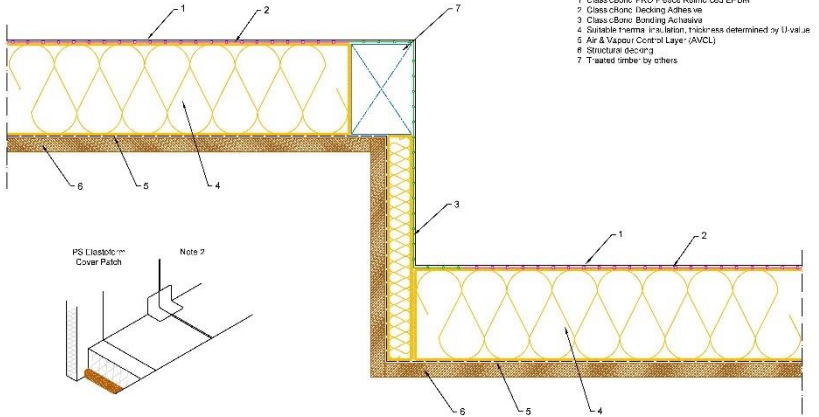




 <small>© 2010 ClassicBond PRO Ltd</small>	Title FABRICATED PIPE SEAL		Drawn MFO	Checked DW	Approved DW	Scale 1:4@A4	Date 17.10.12
	Product DP-D-2		Status PRODUCTION				
	# 02.04.14	Text updated	Drawing No: DP/D/2		Rev: B		
	A 17.10.12	PRODUCTION issue					
Rev Date	Comments						



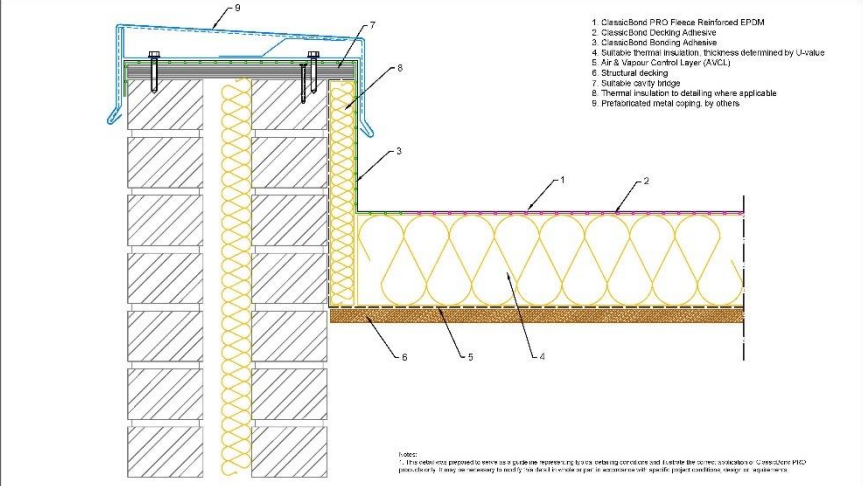
 <small>© 2010 ClassicBond PRO Ltd</small>	Title ANGLE DRAIN		Drawn MFO	Checked DW	Approved DW	Scale 1:4@A4	Date 13.09.12
	Product DP-D-1		Status PRODUCTION				
	# 02.04.14	Text updated	Drawing No: DP/D/1		Rev: B		
	A 13.09.12	PRODUCTION issue					
Rev Date	Comments						



- 1 ClassicBond PRO Fleece Reinforced EPDM
- 2 ClassicBond Decking Adhesive
- 3 ClassicBond Bonding Adhesive
- 4 Suitable Thermal Insulation, thickness determined by U-value
- 5 Air & Vapour Control Layer (AVCL)
- 6 Structure Decking
- 7 Treated timber by others

Notes:
 1. The detail was created to show a typical representation of the structure and is not intended to be a standard specification of ClassicBond.
 2. ClassicBond products are not intended to be used in conjunction with other products unless specifically stated in the product literature.
 3. The detail was created to show a typical representation of the structure and is not intended to be a standard specification of ClassicBond.
 4. The detail was created to show a typical representation of the structure and is not intended to be a standard specification of ClassicBond.
 5. The detail was created to show a typical representation of the structure and is not intended to be a standard specification of ClassicBond.
 6. The detail was created to show a typical representation of the structure and is not intended to be a standard specification of ClassicBond.
 7. The detail was created to show a typical representation of the structure and is not intended to be a standard specification of ClassicBond.

 www.classicbond.co.uk	Title BOX GUTTER		Drawn MFO	Checked DW	Approved DW	Scale 1:4@A4	Date 13.09.12
	Product DP-BG-1		Status PRODUCTION		Drawing No: DP/BG/1		
	B 02.04.14 A 13.09.12	Text updated PRODUCTION Issue	Rev Date	Comments			



- 1 ClassicBond PRO Fleece Reinforced EPDM
- 2 ClassicBond Decking Adhesive
- 3 ClassicBond Bonding Adhesive
- 4 Suitable Thermal Insulation, thickness determined by U-value
- 5 Air & Vapour Control Layer (AVCL)
- 6 Structure Decking
- 7 Suitable cavity infill
- 8 Thermal insulation to detailing where applicable
- 9 Prefabricated metal coping by others

Notes:
 1. The detail was created to show a typical representation of the structure and is not intended to be a standard specification of ClassicBond.
 2. ClassicBond products are not intended to be used in conjunction with other products unless specifically stated in the product literature.
 3. The detail was created to show a typical representation of the structure and is not intended to be a standard specification of ClassicBond.
 4. The detail was created to show a typical representation of the structure and is not intended to be a standard specification of ClassicBond.
 5. The detail was created to show a typical representation of the structure and is not intended to be a standard specification of ClassicBond.
 6. The detail was created to show a typical representation of the structure and is not intended to be a standard specification of ClassicBond.
 7. The detail was created to show a typical representation of the structure and is not intended to be a standard specification of ClassicBond.
 8. The detail was created to show a typical representation of the structure and is not intended to be a standard specification of ClassicBond.
 9. The detail was created to show a typical representation of the structure and is not intended to be a standard specification of ClassicBond.

 www.classicbond.co.uk	Title METAL COPING DETAIL		Drawn MFO	Checked DW	Approved DW	Scale 1:4@A4	Date 22.08.12
	Product DP-W-4		Status PRODUCTION		Drawing No: DP/W/4		
	B 02.04.14 A 22.08.12	Text updated PRODUCTION Issue	Rev Date	Comments			

Open-time and cure-time: All information is provided as a guideline only. Cure-time and open-time are dependent on a range of variables: temperature, substrate being bonded, method of application and weight of product applied. Flex-R highly recommends that testing is conducted prior to application.

Temperature and Timings: All information on temperature and timings represent normal working conditions and is provided as a guideline only. However, please contact Flex-R for advice if you wish to operate outside of these parameters.

Disclaimer

All the information in this product sheet is based on practical experience and is published in good faith. However, because we have no control over the manner or conditions in which our products are used, or over work undertaken or end product manufactured by the purchaser, we cannot accept liability for results.

Responsibility for ascertaining the suitability of products for their purposes rests with the purchaser. All conditions, representations, statements, warranties or guarantees whatsoever, whether express, implied or statutory, in respect of any goods manufactured, sold or supplied by us are hereby expressly excluded and we accept no liability in respect of any claim for damage or consequential loss caused to any property arising directly or indirectly out of the use of our products or goods.

Flex-R, Sandwood House, Hillbottom Road, Sands Industrial Estate, High Wycombe,
Buckinghamshire, HP12 4HJ
Tel: 01494 448792, enq@flex-r.co.uk www.ClassicBond.co.uk