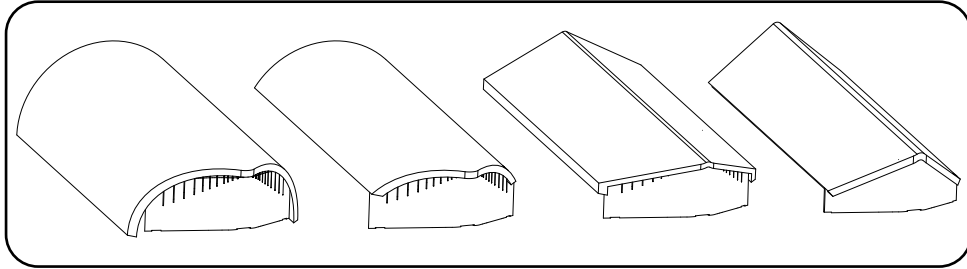
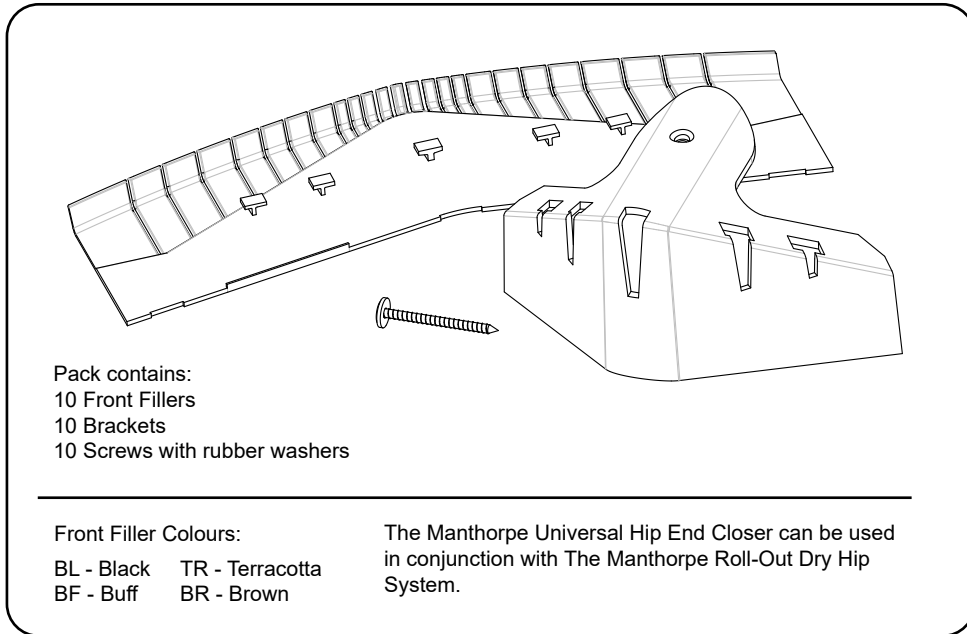


Fits to all market leading Hip tiles



GDRH-HC System Components



Pack contains:
10 Front Fillers
10 Brackets
10 Screws with rubber washers

Front Filler Colours:
BL - Black TR - Terracotta
BF - Buff BR - Brown

The Manthorpe Universal Hip End Closer can be used in conjunction with The Manthorpe Roll-Out Dry Hip System.

Other products available from Manthorpe Building Products include: Cavity Trays, Cavity Closers, Loft Access Doors, Roof Ventilation, Through Wall Ventilation, Air Leakage and Dry Fix Roofing Products.



Manthorpe Building Products Limited

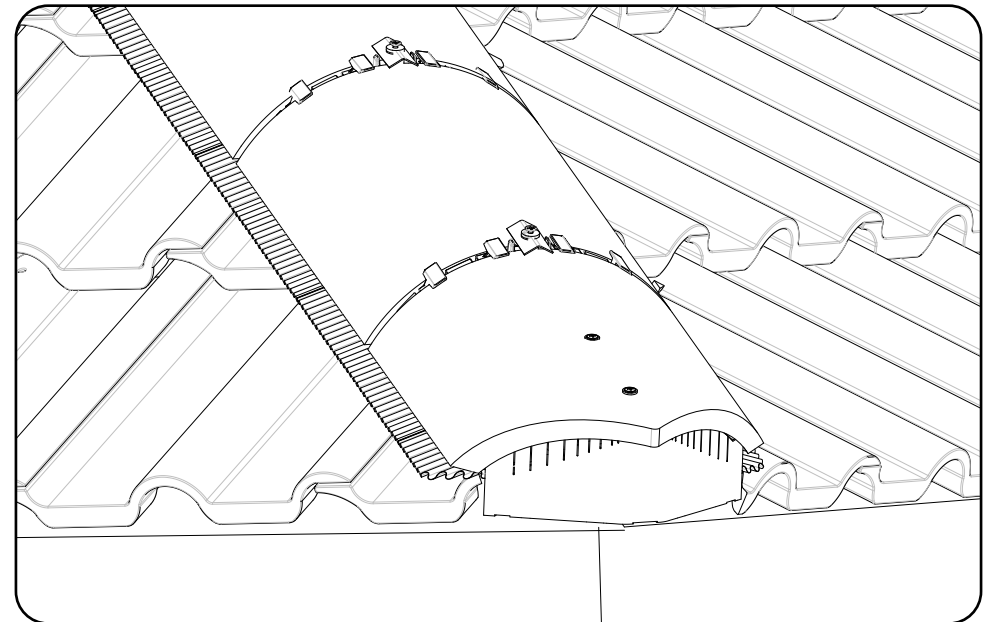
Manthorpe House, Brittain Drive, Codnor Gate Business Park, Ripley, Derbyshire DE5 3ND
T: (01773) 303 000 F: (01773) 303 300 E: mbp.care@manthorpebp.co.uk
W: www.manthorpebp.co.uk

Manthorpe

Universal Hip End Closer

Fitting Instructions

MBP_GU_1077_04



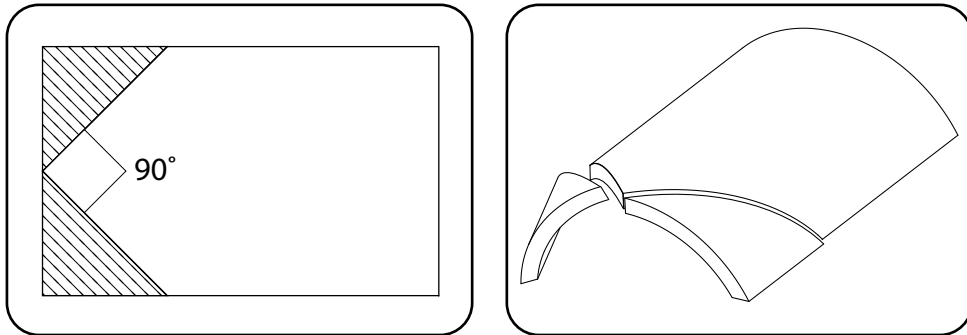
Overview

Part of the Manthorpe dry fix roofing range, the Hip End Closer is a cost effective dry fix alternative to block end Hip tiles.

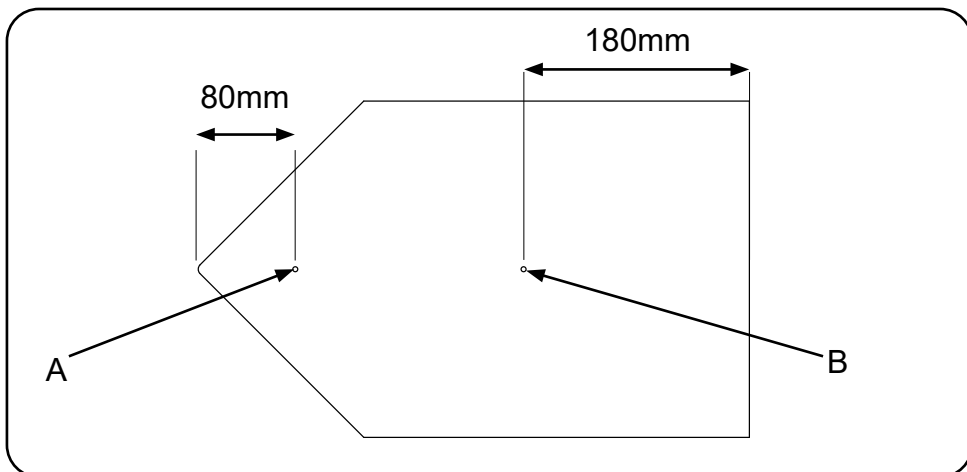
The flexible front face allows the product to conform to any of the market leading hip tiles, providing a neat closing solution to the end of the hip roof without having to mortar in the detail.

Tile Preparation

1. Mark out a 90 degree angle on the end of a hip tile and then cut the tile down to leave a pointed edge.

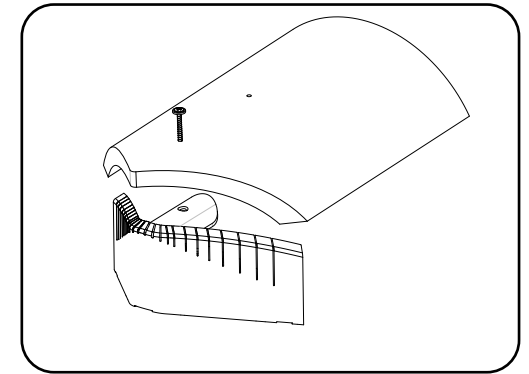


2. Drill one $\text{\O} 5\text{mm}$ hole (A) 80mm from the point of the cut edge. Drill a second hole (B) 180mm from the uncut edge of the tile.

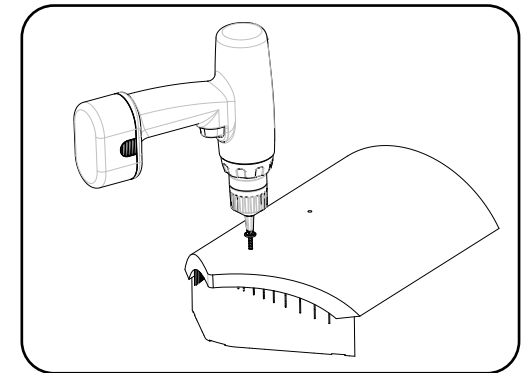


Closer Installation

3. Insert the screw and washer supplied through hole (A) in the hip tile.
4. Align the screw with the fixing hole in the top of the bracket.



5. Push the product tight up against the underside of the tile ensuring that all of the tabs conform to the tile profile.



6. Tighten the screw until the product is held firmly in place, being careful not to overtighten the screw.

7. Fix the tile to the roof through hole (B), using the screw found in the Manthorpe GDRH roll-out hip kit or a suitable fixing.

Then continue to lay the hip as normal.

See the fitting instructions for Manthorpe's roll-out dry hip for further details.

